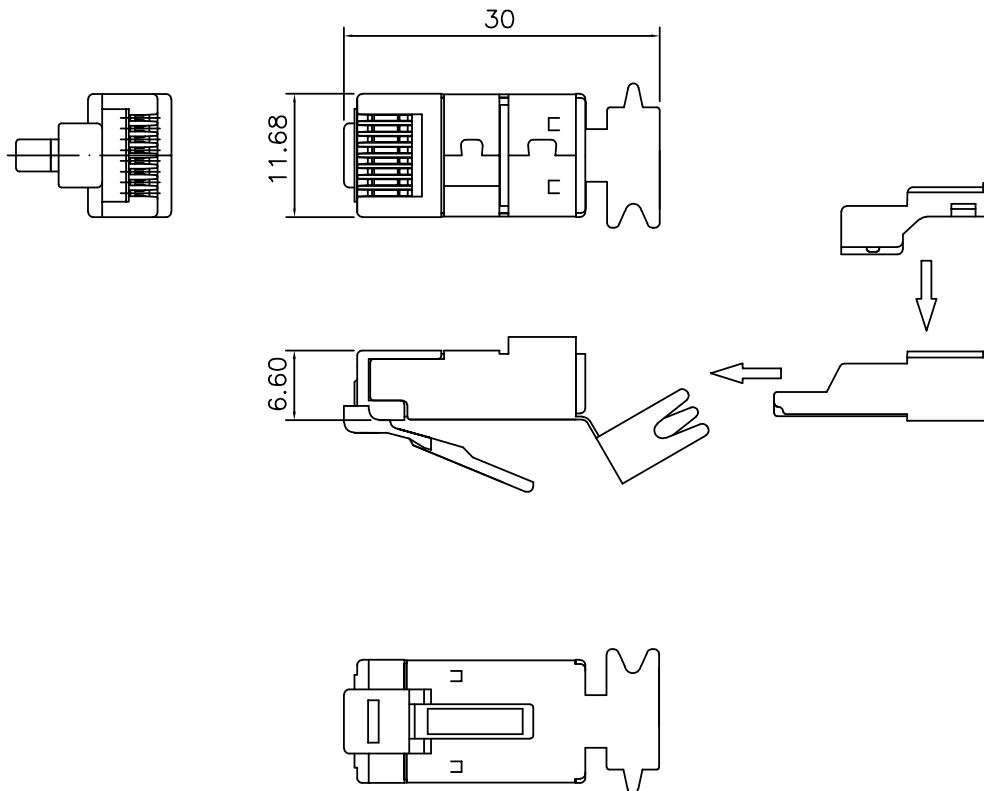




CAT.6 FTP PLUG
AR-1350

ASSEMBLY DIMENSION



ELECTRICAL

Electrical Insulation Resistance: 500 Ω
min. @ 100V d.c

Dielectric Withstanding Voltage: 1000V d.c. or a.c.

Peak Contact to Contact @60Hz for 1 minute

Contact Resistance: 20 m Ω Max

Current Rating: as figure.

MECHANICAL

Retention: 50N (11 lbf) for 60s \pm 5s

Insertion / Extraction Life: 750 cycles minimum

Tensile Strength: \geq 20N per Wire

PHYSICAL

1. Housing: PC, UL 94V-0

2. Contact: Phosphor Bronze Alloy Plated with 50 micro-inch of Gold Over 70~100 micro-inch of Nickel

3. Shield: Brass alloy plated with 30~60 micro-inch Nickel