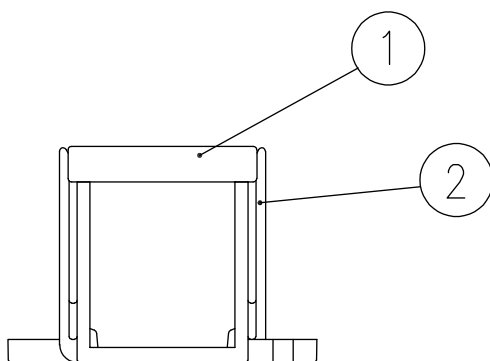
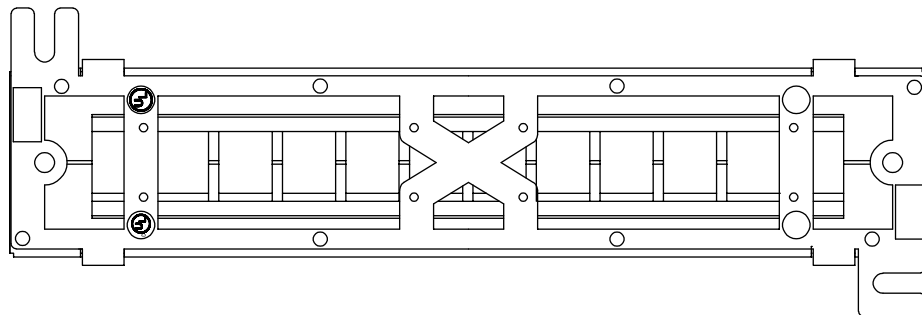
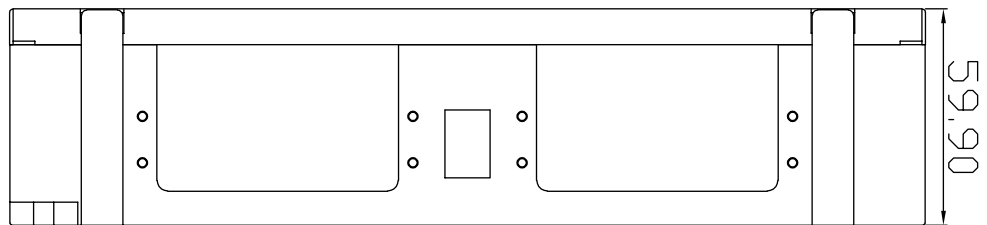
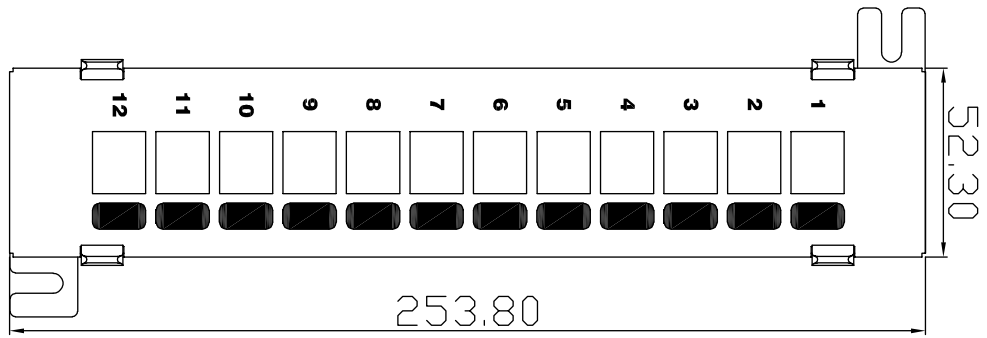


1U 12 PORT
UTP PATCH PANEL
AR-2752

STRUCTURE AND DIMENSIONS



NO.	DESCRIPTION	Q'TY
1	12Port Patch Panel (LD0514)	1
2	R89D (LP1668)	1