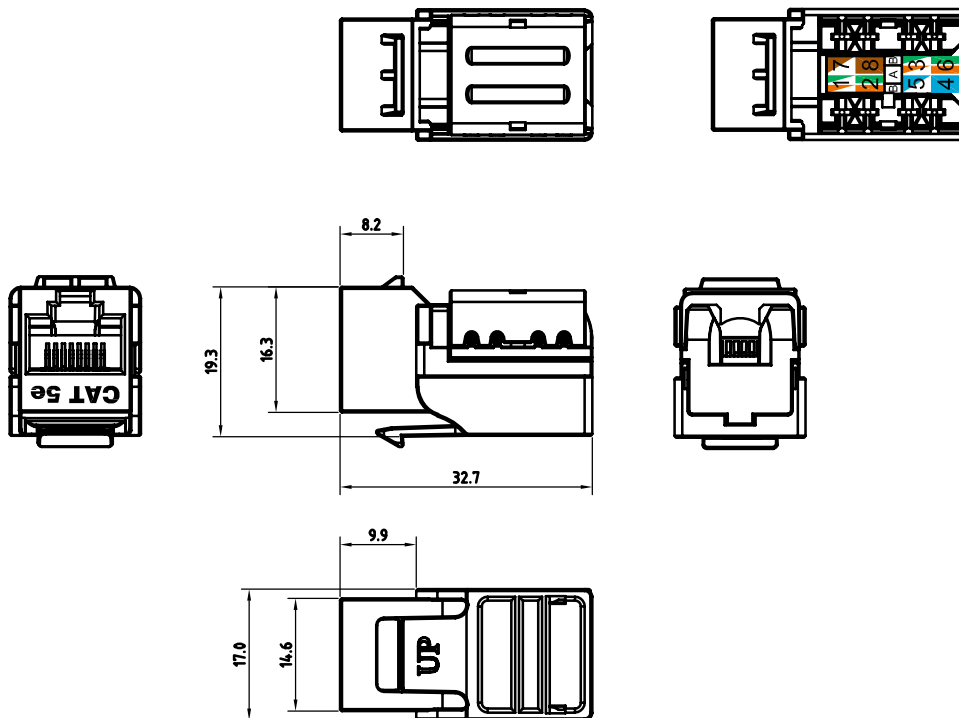
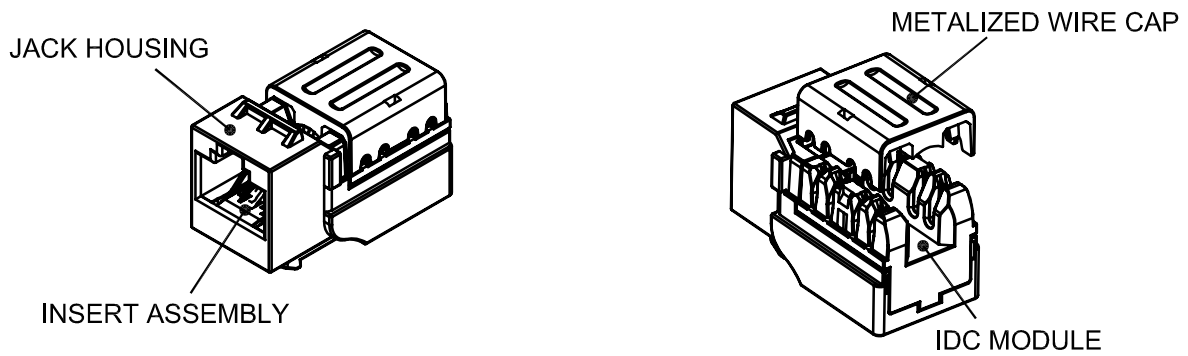




CAT.5E UTP QUICK JACK  
AR-3995



## TRANSMISSION PERFORMANCE

Meet all requirements specified in connecting hardware requirement of ANSI/TIA-568-C.2, Category 5e

## ELECTRICAL

Electrical Insulation Resistance: 500  $\Omega$   
min. @ 100V d.c

Dielectric Withstanding Voltage: 1000V d.c. or a.c.  
Peak Contact to Contact @60Hz for 1 minute.

## MECHANICAL

Insertion / Extraction Life: 750 cycles minimum

IDC Wire Gauge: 22 ~ 24 AWG

## PHYSICAL

Housing: High-impact, Flame-retardant, Plastic, UL 94V-0

Spring wire: Phosphor Bronze Alloy plated with 50 micron-inch of Gold

IDC: Phosphor Bronze Alloy with 100 micro-inch 100% Sn Alloy

## COMPONENTS

ITEM	PART NAME	Q'TY
1	JACK HOUSING	1
2	INSERT MODULE	1
3	WIRE CAP	1
4	IDC MODULE	1

Unless Otherwise Specified		
INCH	MM	ANGULAR
.X ± .016	.X ± .02	.X ± 1°
.XX ± .008	.XX ± .01	.X ± .5°
.XXX ± .004		
<b>Material</b>		
<b>Surface</b>		
<b>Finish</b>		