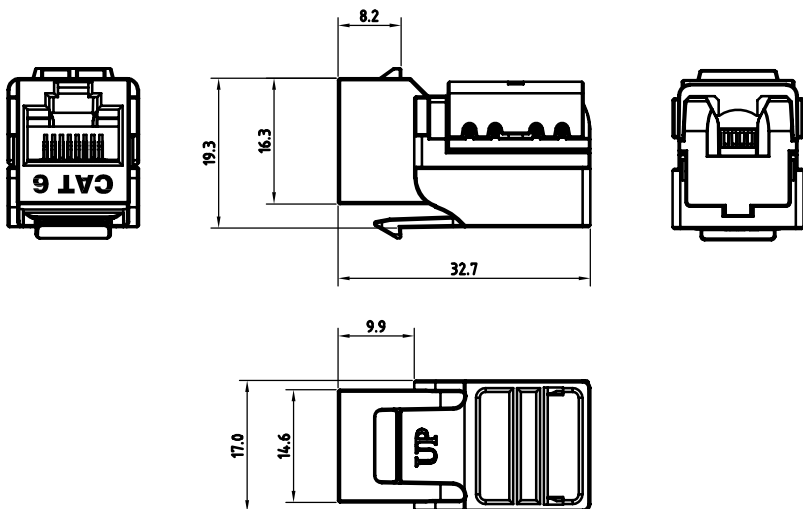
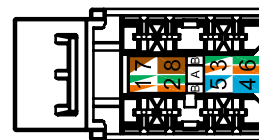
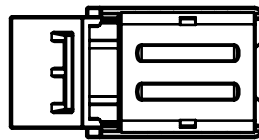
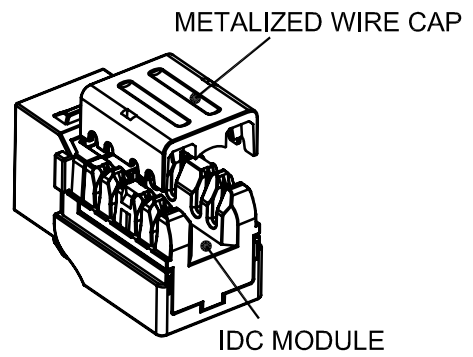
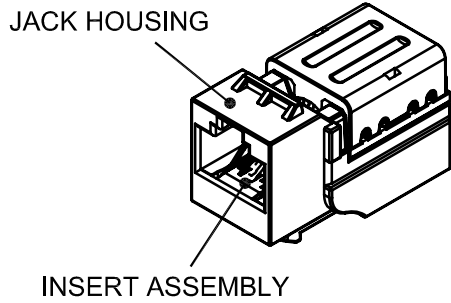
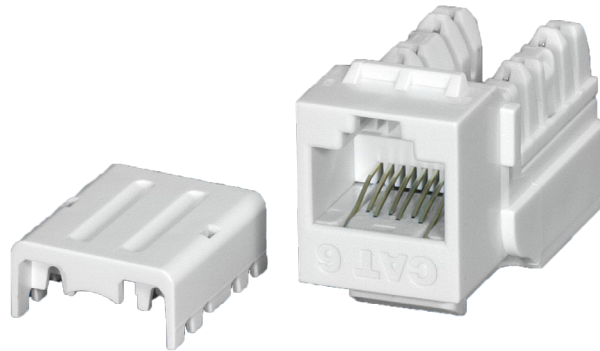


CAT.6 UTP QUICK JACK
AR-3996



TRANSMISSION PERFORMANCE

Meet all requirements specified in connecting hardware requirement of ANSI/TIA-568-C.2, Category 6

ELECTRICAL

Electrical Insulation Resistance: 500 Ω
min. @ 100V d.c

Dielectric Withstanding Voltage: 1000V d.c. or a.c.

Peak Contact to Contact @60Hz for 1 minute

MECHANICAL

Insertion / Extraction Life: 750 cycles minimum

IDC Wire Gauge: 22 ~ 24 AWG

PHYSICAL

Housing: High-impact, Flame-retardant, Plastic, UL 94V-0

Spring wire: Phosphor Bronze Alloy plated with 50 micron-inch of Gold

IDC: Phosphor Bronze Alloy with 100 micro-inch 100% Sn Alloy

COMPONENTS

ITEM	PART NAME	Q'TY
1	JACK HOUSING	1
2	INSERT MODULE	1
3	WIRE CAP	1
4	IDC MODULE	1

Unless Otherwise Specified		
INCH	MM	ANGULAR
.X \pm .016	.X \pm .02	.X \pm 1°
.XX \pm .008	.XX \pm .01	.X \pm .5°
.XXX \pm .004		
Material		
Surface		
Finish		