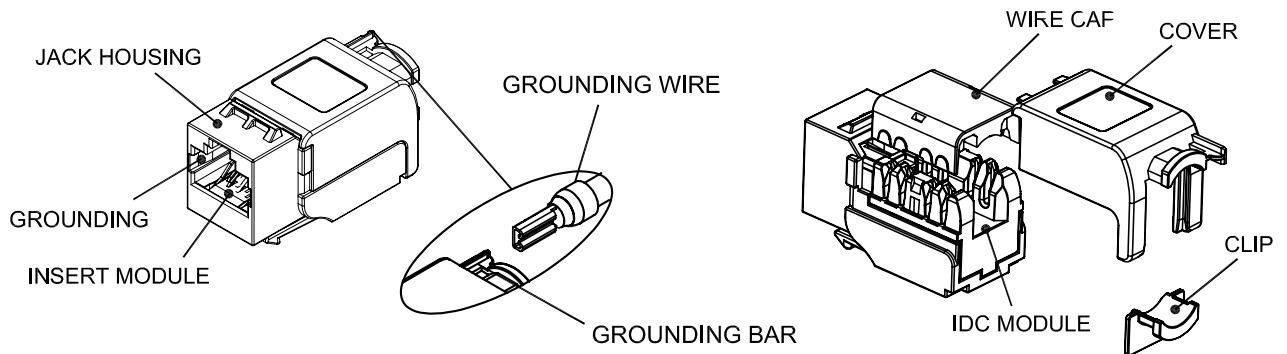
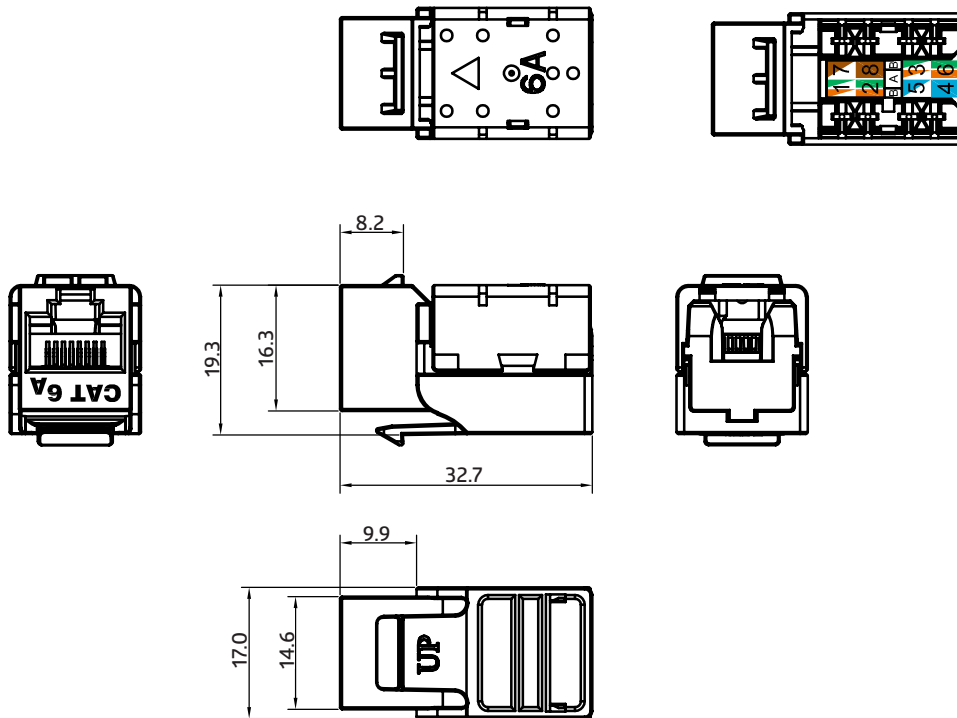


CAT.6A FTP QUICK JACK
AR-4001



ASSEMBLY DIMENSION



TRANSMISSION PERFORMANCE

Meet all requirements specified in connecting hardware requirement of:

ISO/IEC 11801, Category 6A

IEC 60603-7-51

ANSI/TIA-568-C.2, Category 6A

ELECTRICAL

Electrical Insulation Resistance: 500 Ω

min. @ 100V d.c

Dielectric Withstanding Voltage: 1000V d.c. or a.c.

Peak Contact to Contact @60Hz for 1 minute, 1500C d.c. or a.c.

Peak Contact to Panel @60Hz for 1 minute

MECHANICAL

Insertion / Extraction Life: 750 cycles minimum

IDC Wire Gauge: 22 ~ 24 AWG

PHYSICAL

Housing: Zinc alloy, fully shielded

Spring wire: Phosphor Bronze Alloy plated with 50 micron-inch of Gold

IDC: Phosphor Bronze Alloy with 100 micro-inch 100% Sn Alloy

COMPONENTS

| ITEM | PART NAME | Q'TY |
|------|---------------------|------|
| 1 | JACK HOUSING | 1 |
| 2 | INSERT MODULE | 1 |
| 3 | GROUNDING | 1 |
| 4 | IDC MODULE | 1 |
| 5 | WIRE CAP (optional) | 1 |
| 6 | COVER (optional) | 1 |
| 7 | CLIP (optional) | 1 |

| Unless Otherwise Specified | | |
|----------------------------|---------------|--------------|
| INCH | MM | ANGULAR |
| .X \pm .016 | .X \pm .02 | .X \pm 1° |
| .XX \pm .008 | .XX \pm .01 | .X \pm .5° |
| .XXX \pm .004 | | |
| Material | | |
| Surface | | |
| Finish | | |