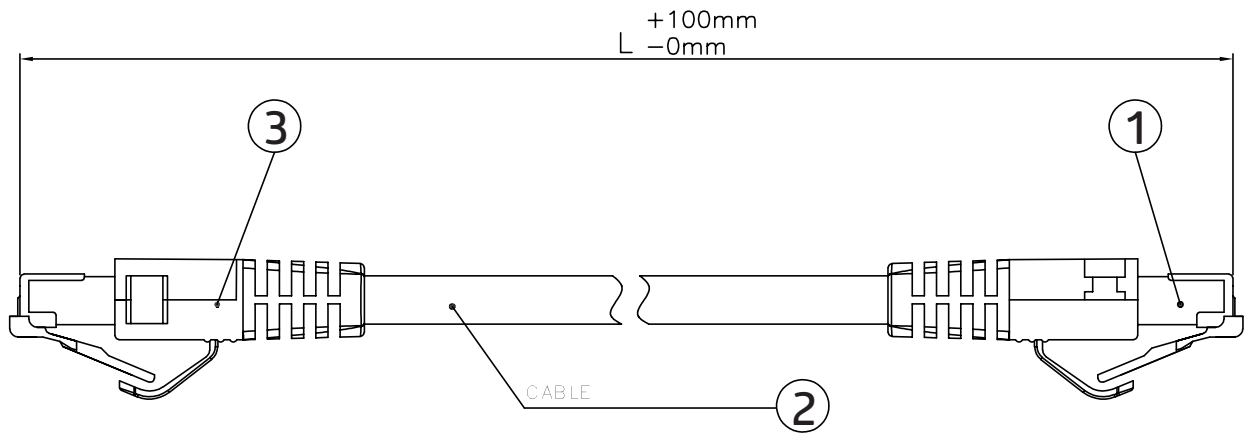


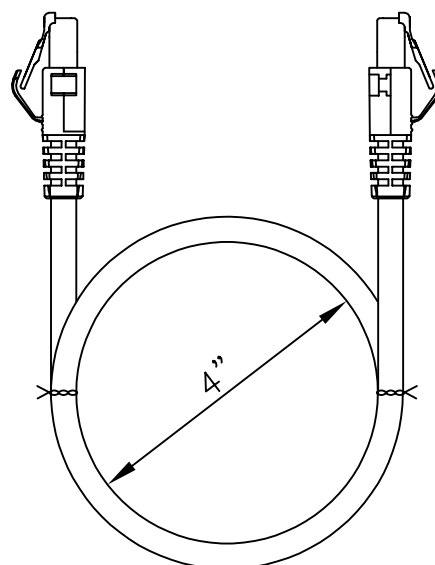
UTP PATCH CORD 5E LSZH
AR-4184

STRUCTURE AND DIMENSIONS



No#	Description		Material	Q'TY
1	PLUG ASSY	LA08084R-C5HS-ROHS	Polycarbonate, 94V-0, the contact area of blades is selected plated with 50micro-inches of hard gold over 100micro-inches of Nickel	2
2	CAT 5e PATCH CABLE	LC4PRXX1117-FH5ETG-1	Fire retardant LSZH compounds E132276-A (UL) CM 75°C 4PR 26AWG △△△ CSA LL64151-A CMG 75°C FT4 △△△ CAT.5E PATCH CABLE---FTP "△" stands for blank	1
3	LSZH BOOT	PP 94V-2 (LP1949-A2XXX)		2

T568B	PIN	Color
	1	White-Orange
	2	Orange
	3	White-Green
	4	Blue
	5	White-Blue
	6	Green
	7	White-Brown
	8	Brown



AVAILABLE LENGTHS

1	2	3	5	Unit: m
---	---	---	---	---------