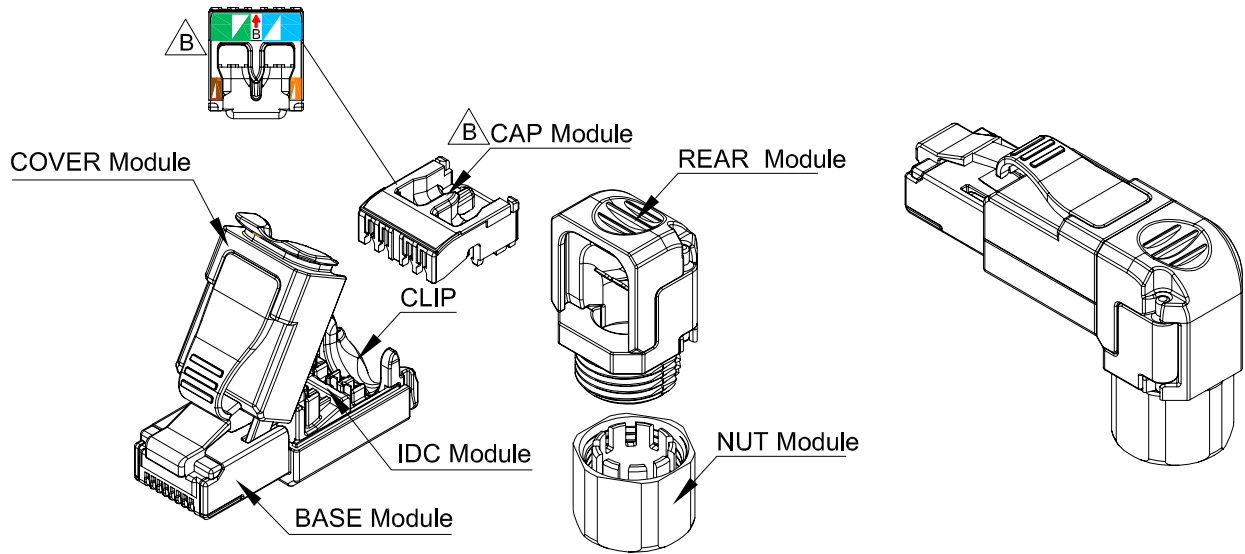




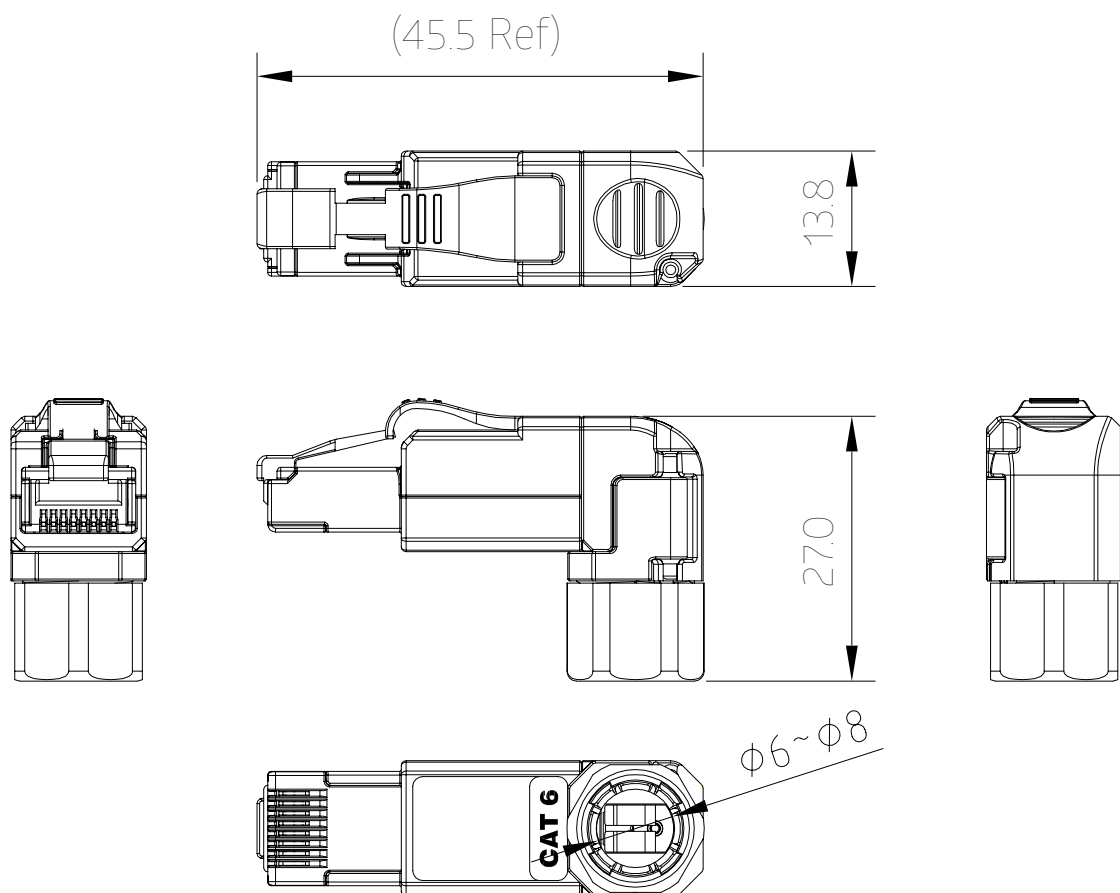
CAT 6 FTP FIELD  
TERMINABLE PLUG  
(ANGLED TYPE)

AR-5011

## ISOMETRIC VIEW



## DIMENSIONS AND ASSEMBLY



## TRANSMISSION PERFORMANCE

Meet all requirements specified in connecting hardware requirement of:  
ANSI/TIA-568.2-D, Category 6

## ELECTRICAL

Electrical Insulation Resistance: 500  $\Omega$  min. @ 100V d.c  
Dielectric Withstanding Voltage: 1000V d.c. or a.c. Peak  
Contact to Contact; 1500C d.c. or a.c.  
Peak Contact to Panel @60Hz for 1 minute

## MECHANICAL

IDC Wire Gauge: 22 ~ 26 AWG  
This product works with 26 AWG, but cannot have been previously used with any other wire gauge if being used with 26 AWG.

## PHYSICAL

Housing: Zinc alloy, fully shielded  
Contact pin: Phosphor Bronze Alloy plated with 50 micron-inch of Gold  
IDC: Phosphor Bronze Alloy with 100 micro-inch 100% Sn Alloy

## COMPONENTS

ITEM	PART NAME	Q'TY
1	BASE Module	1
2	COVER Module	1
3	IDC Module	1
4	CLIP	1
5	CAP Module	1
6	REAR Module	1
7	Nut Module	1