



# FIBER OPTIC TERMINAL BOX

AR-IDB96F

## DESCRIPTION

AR-IDB96F is used for fiber optical cable splicing, distribution, connection and protection. It is made by ABS plastic.

**A**



- 1) Different adapter panel, SC, LC, ST, FC ...
- 2) 96 adapter port
- 3) Max. 8pcs splice tray for 192 fiber splicing (splice tray in both side, each side 4pcs)
- 4) Max. 8pcs PG21 cable port
- 5) Waterproof IP65
- 6) Wall mounted or pole mounted application

**B**



- 1) Different adapter panel, SC, LC, ST, FC ...
- 2) Support cable entry without cutting
- 3) Max. can load 8pcs 1:8 or 2pcs 1:32 or 1pc 1:64 box type splitter
- 4) 72 adapter port
- 5) Max.4pcs splice tray for 96 fiber splicing (splice tray in one side)
- 6) Max. 6pcs PG21 cable port + 2 rubber cable port
- 7) Waterproof IP65
- 8) Wall mounted or pole mounted application

**C**

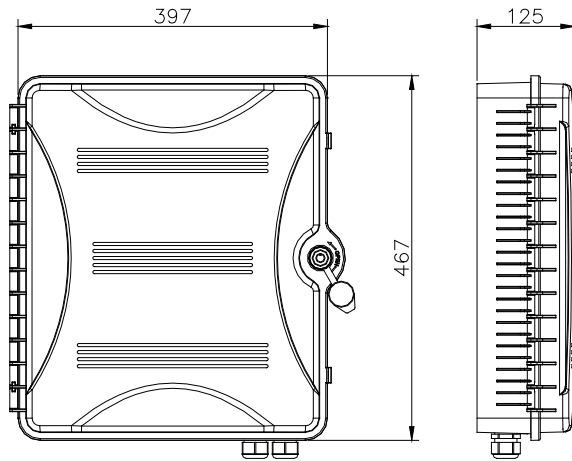


- 1) Different adapter panel, SC, LC, ST, FC ...
- 2) Support cable entry without cutting
- 3) Max. can load 8pcs 1:8 or 2pcs 1:32 or 1pc 1:64 box type splitter
- 4) Support FTTH drop cable entry/exist
- 5) 72 adapter port
- 6) 2pcs splice tray for 48 fiber splicing (splice tray in one side)
- 7) Max. 6pcs PG21 cable port + 2 rubber cable port
- 8) Waterproof IP65
- 9) Wall mounted or pole mounted application

## SPECIFICATION

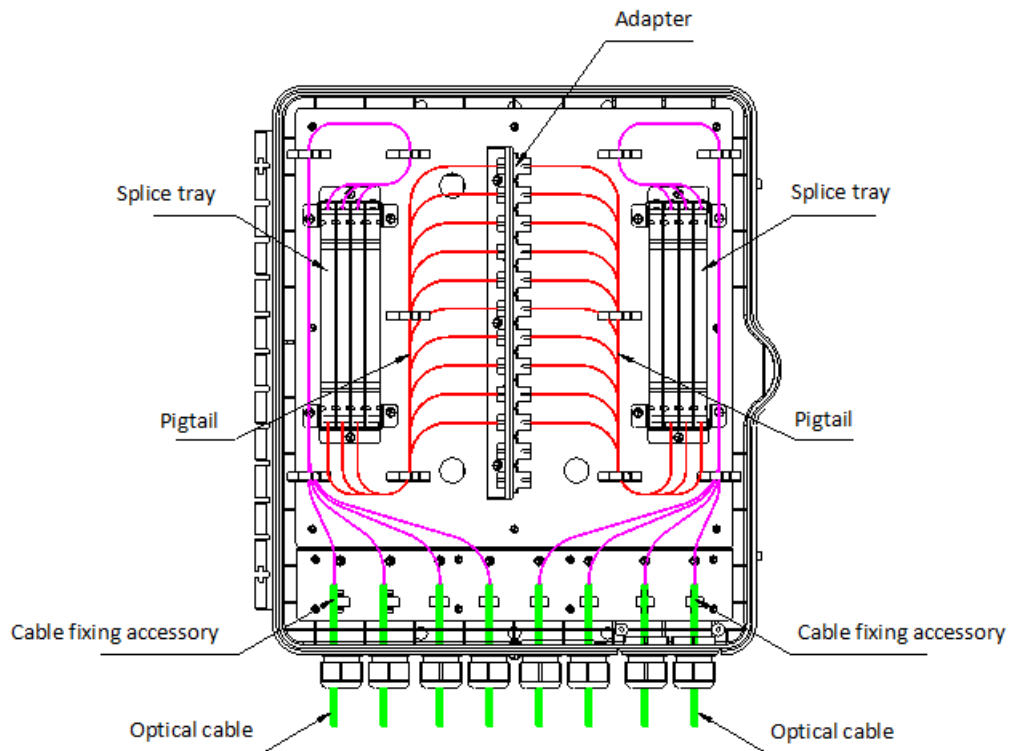
Model	Adapter Port	Dimension(mm) W*H*D	Splitter space
AR-IDB96F	96	397 × 467 × 125	No
AR-IDB96F A	72		Max. 8pcs 1:8 or 2pcs 1:32 or 1pc 1:64 box type splitter
AR-IDB96F B	72		

### Drawings:(mm)

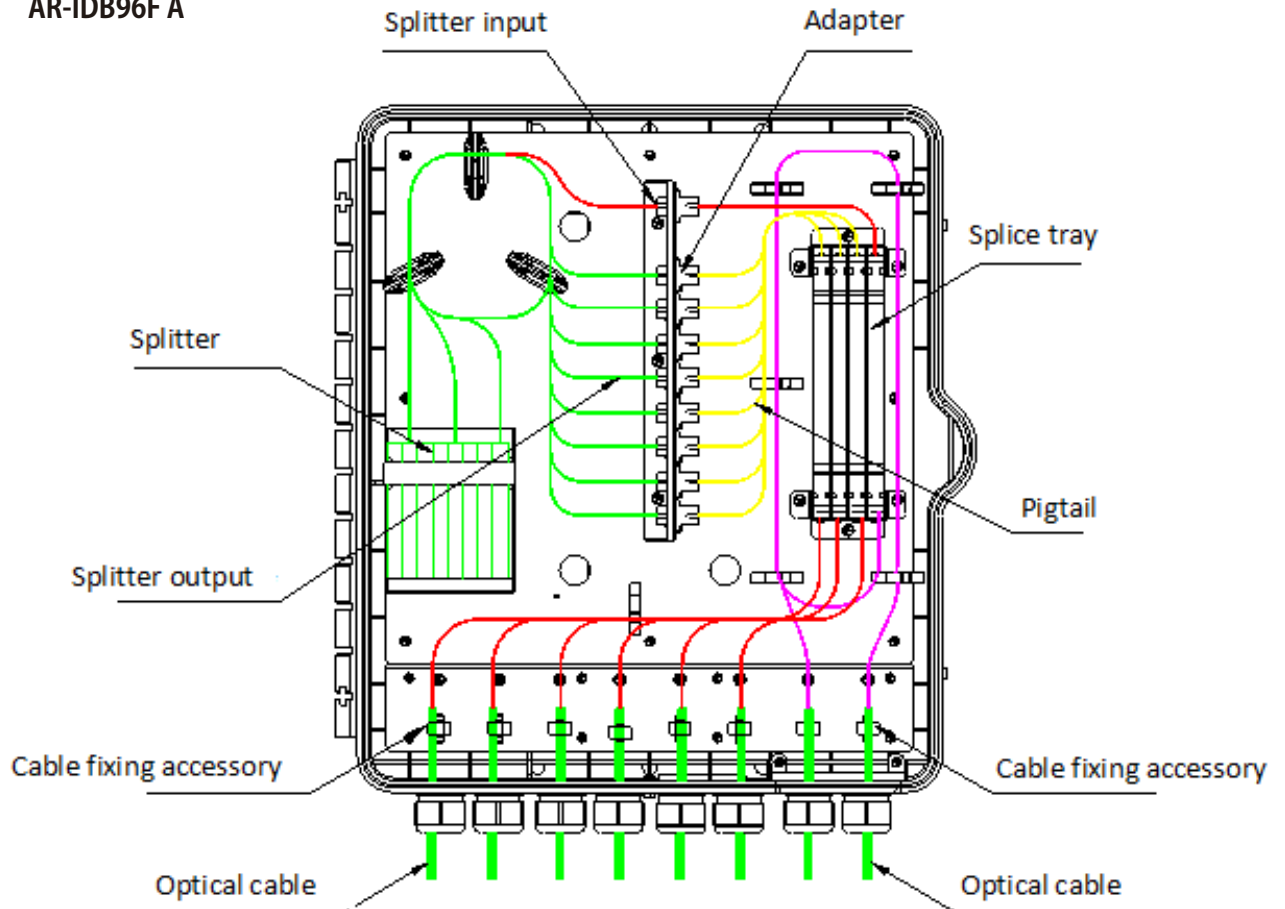


### Cable distribution

#### AR-IDB96F



AR-IDB96F A



AR-IDB96F B

