



**ONECLICK**



DISTRIBUTION  
TERMINAL BOX  
4 PORTS

AR-DB4P-HC

## 1. DESCRIPTION

The equipment is used as a termination point for the feeder cable to connect with drop cable in FTTx communication network system. The fiber splicing, splitting, and distribution can be done in this box, and meanwhile it provides solid protection and management for the FTTx network building.

## 2. CHARACTERISTICS

- 1 Total enclosed structure.
- 2 Material: PP, wet-proof, water-proof, dust-proof, anti-aging, protection level up to IP68.
- 3 Clamping for feeder cable and drop cable, fiber splicing, fixation, storage, distribution...etc all in one.
- 4 Cable, pigtails, and patch cords are running through their own paths without disturbing each other, micro type PLC splitter installation, easy maintenance.
- 5 Distribution panel can be flipped up, feeder cable can be placed by expression port, easy for maintenance and installation.
- 6 Box can be installed by the way of wall-mounted or poled-mounted, suitable for both indoor and outdoor use.

## 3. SPECIFICATION

### 3.1 Environmental requirement

Working temperature:  $-40^{\circ}\text{C} \sim +70^{\circ}\text{C}$ .

Relative humidity:  $\leq 85\%$  ( $+30^{\circ}\text{C}$ ).

Atmospheric pressure:  $70\text{KPa} \sim 106\text{Kpa}$ .

### 3.2. Main technical datasheet

Insertion loss:  $\leq 0.3\text{dB}$ .

UPC return loss:  $\geq 50\text{dB}$ .

APC return loss:  $\geq 60\text{dB}$ .

### 3.3. Thunder-proof technical datasheet

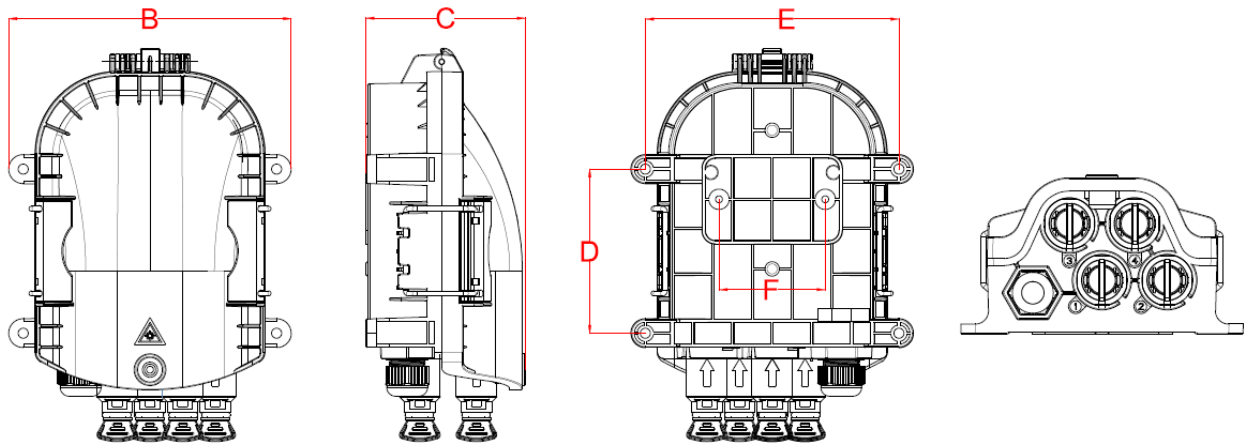
The insulation resistance between the grounding device and the metal parts of the box is no less than 2.

**$\times 10^4 \text{ M}\Omega/500\text{V (DC)}; \text{IR} \geq 2 \times 10^4 \text{ M}\Omega/500\text{V}$ .**

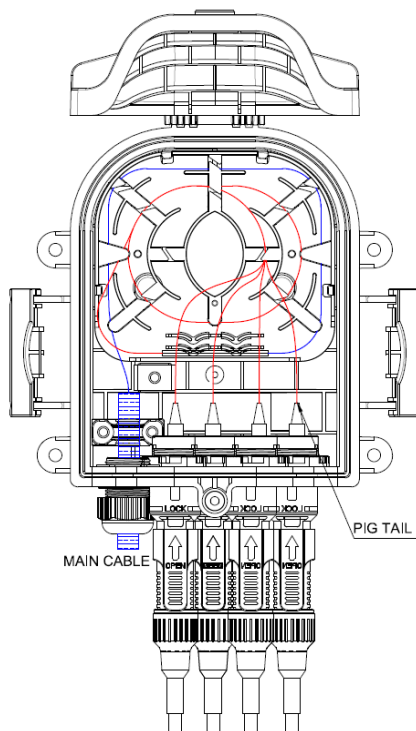
The voltage resistance between the grounding device, and the box and its metal parts is no less than  $3000\text{V (DC)/min}$ , no puncture, no flashover;  $U \geq 3000\text{V}$

### 4. CONFIGURATION TABLE

Model	Description	Size (Pic 1) A*B*C	Max Capacity	Installation Size (Pic 2)	
				D*E	F
AR-DB4P-HC	Splitter Box	168*138*78	1*4 PLC	81*124	52



### 5. PRODUCT CABLE WAYS



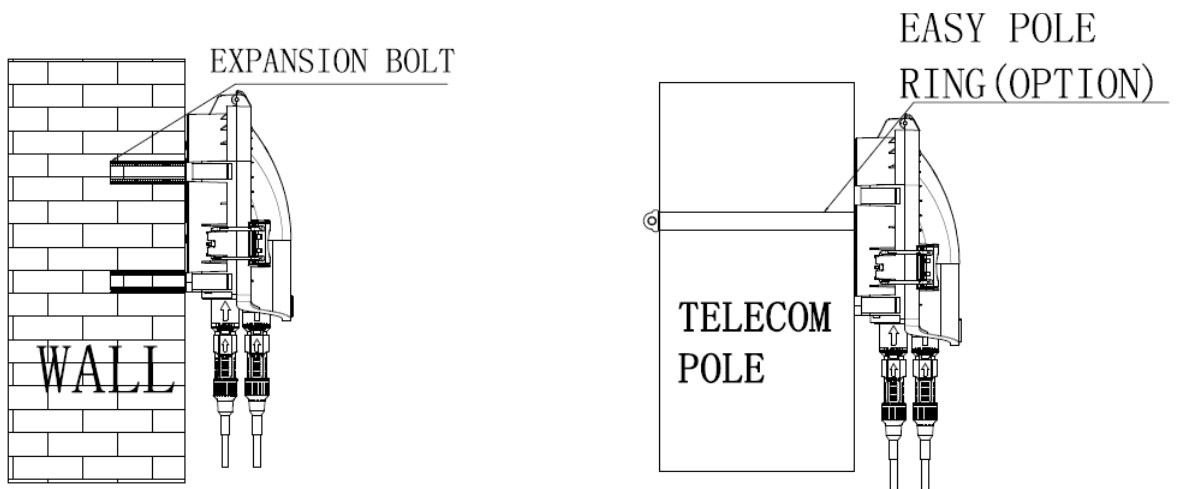
## 6. INSTALLATION

### 6.1. Wall-mounted installation

Drill 4 holes into the wall based on the size in table 1, place the expansion bolt  $\Phi 7.5*40$ , place the box to match the holes and use bolt to fasten. (Pic 4).

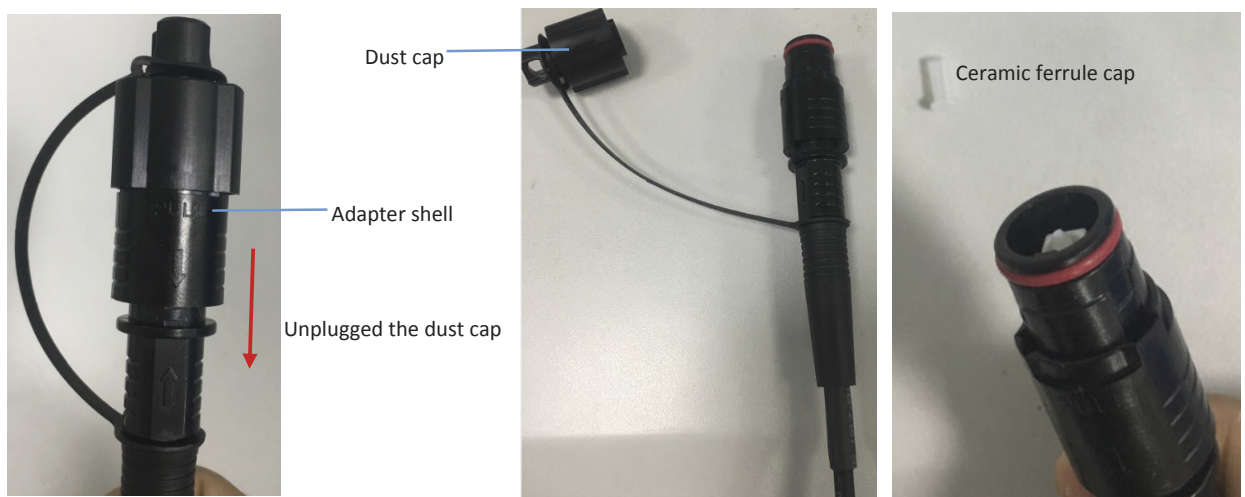
### 6.2. Pole-mounted installation

Fix 1 set of the pole ring to the telecom pole (Pic 5).



PIC 4 WALL MOUNTED INSTALLATION

PIC 5 POLE MOUNTED INSTALLATION



PIC 6 REMOVE THE FIBER CONNECTOR CAP AND REMOVE THE CERAMIC FERRULE CAP.



PIC7 INSERT AND PULL OUT THE FIBER CONNECTOR

## 8. ACCESSORIES

- 1 Users' Manual\*1.
- 2 Accessories Bag\*1.
- 3 Pole Ring\*1(OPTION).

## 9. PRODUCT PICTURES

