



ONECLICK



CDO-CI
CIRCULAR

AR-RDB8P-HC

DESCRIPTION

The equipment is used as a middle connect point or as a termination point for the feeder cable to connect with drop cable in FTTx communication network system. The fiber splicing, splitting, and distribution can be done in this box, and meanwhile it provides solid protection and management for de FTTx network building.

FEATURES

- 1 Total enclosed structure.
- 2 Material: PC+ABS, wet-proof, water-proof, dust-proof, anti-aging, protection level up to IP68.
- 3 Clamping for feeder cable and drop cable, fiber splicing, fixation, storage, distribution...etc all in one.
- 4 Cable, pigtails, and patch cords are running through their own paths without disturbing each other, micro type PLC splitter installation, easy maintenance.
- 5 Distribution panel can be flipped up, feeder cable can be placed by expression port, easy for maintenance and installation.
- 6 Box can be installed by the way of wall-mounted or poled-mounted, suitable for both indoor and outdoor use.

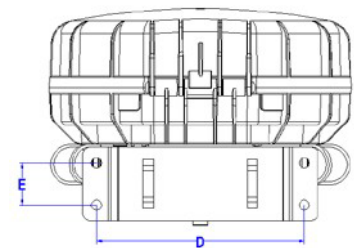
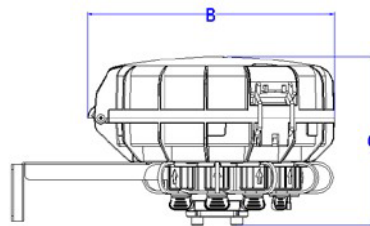
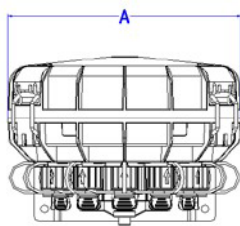
SPECIFICATION

- 1 Environmental requirement Working temperature: $-40\text{ }^{\circ}\text{C}\sim+85\text{ }^{\circ}\text{C}$ Relative humidity: $\leq 85\%$ ($+30\text{ }^{\circ}\text{C}$). Atmospheric pressure: $70\text{KPa}\sim 106\text{Kpa}$.
- 2 Main technical datasheet Insertion loss: $\leq 0.15\text{dB}$ UPC return loss: $\geq 50\text{dB}$ APC return loss: $\geq 60\text{dB}$.
- 3 Thunder-proof technical datasheet.
The insulation resistance between the grounding device and the metal parts of the box is no less than $2 \times 10^4\text{ M}\Omega/500\text{V}$ (DC); $IR \geq 2 \times 10^4\text{ M}\Omega/500\text{V}$.
The voltage resistance between the grounding device, and the box and its metal parts is no less than 3000V (DC)/min, no puncture, no flashover; $U \geq 3000\text{V}$.

CONFIGURATION TABLE

Table 1 Model and configuration

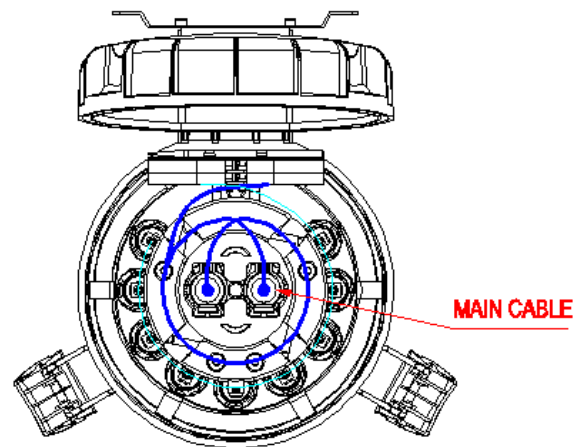
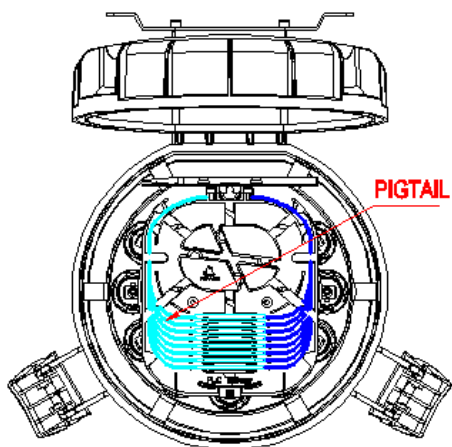
Model	Size (Pic 1) A*B*C	Max Capacity	Hang a wall to install size(Pic 2)D*E	Into the largest cable diameter (mm)
AR-RDB8P-HC	180*190*129	9 (SC/APC 1/8)	124*25	14

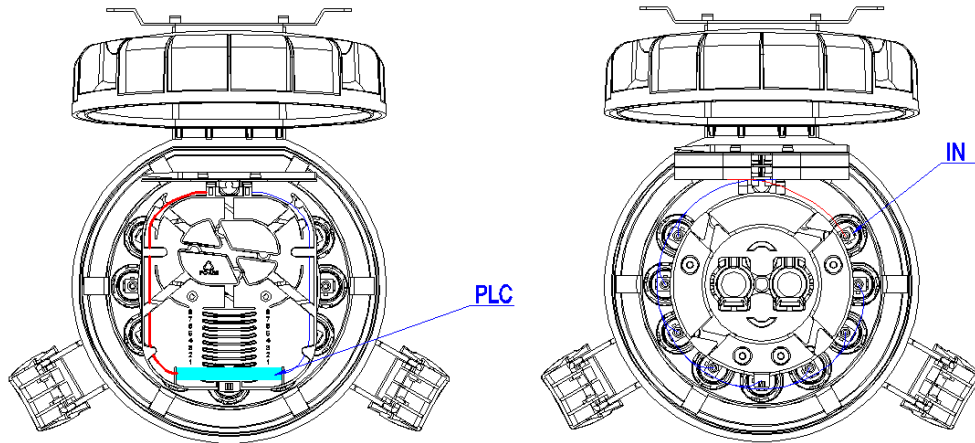


PIC 1 BOX SIZE

PIC 2 INSTALLATION SIZE

PRODUCT CABLE WAYS





PIC.3 AR-RDB8P-HC CABLE WAYS

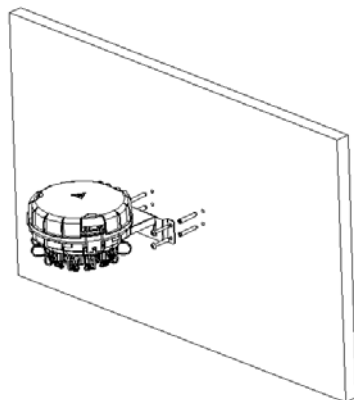
INSTALLATION

1 Wall-mounted installation.

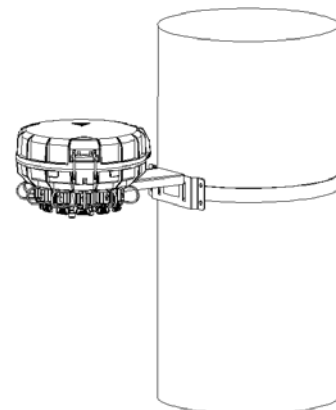
Drill 4 holes into the wall based on the size in table 1, place the expansion bolt $\Phi 7.5 \times 40$, place the box to match up the holes and use bolt to fasten. (Pic 4).

2 Pole-mounted installation.

Fix 1 set of the pole ring to the telecom pole (Pic 5).

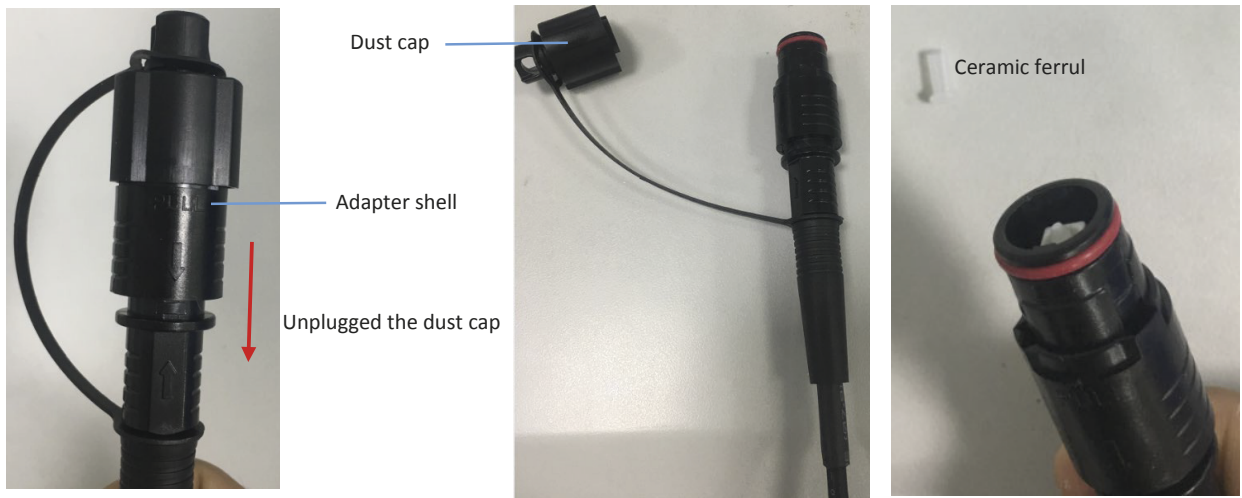


PIC 4 WALL MOUNTED INSTALLATION



PIC 5 POLE MOUNTED INSTALLATION

FIBER CONNECTOR INSTALLATION



Pic 6 Remove the fiber connector dust cap and remove the ceramic ferrule cap



Pic7 Insert and Pull out the fiber connector

ACCESSORIES

- 1 Users' Manual*1.
- 2 Accessories Bag*1.
- 3 Pole Ring*2 (Option).