



# HORIZONTAL SPLICE CLOSURE TERMINAL BOX

AR-DB16P-48F-I

## DESCRIPTION

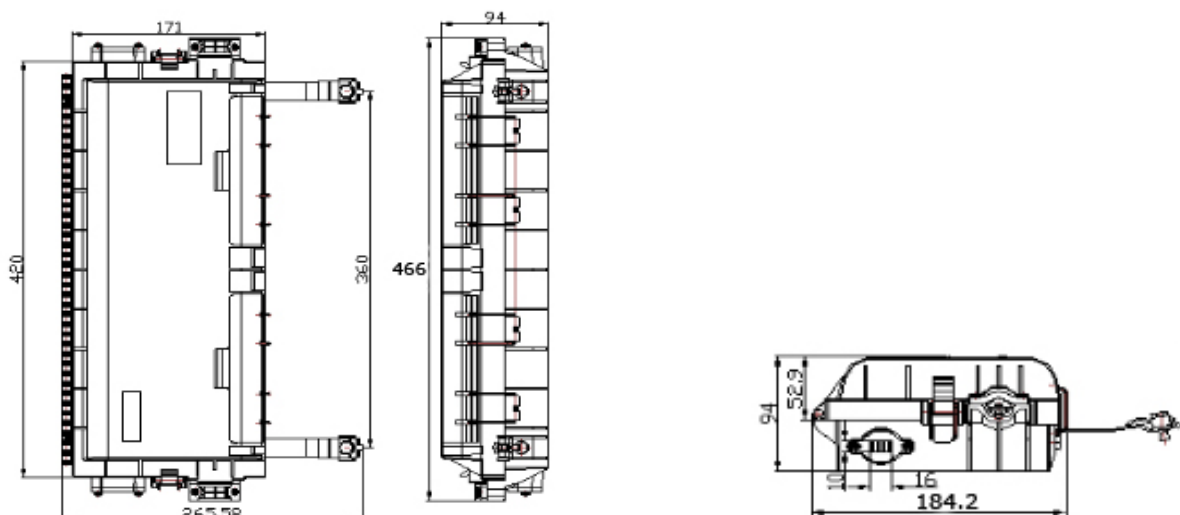
AR-DB16P-48F-I is made of high-quality ABS material. Its cover and bottom is sealing by silicone material, the hook closing design is convenient for installation and maintenance. This closure box is applied to splice fiber without cutting cable. There is a rotary plate in box for patching. It also can load PLC splitter.



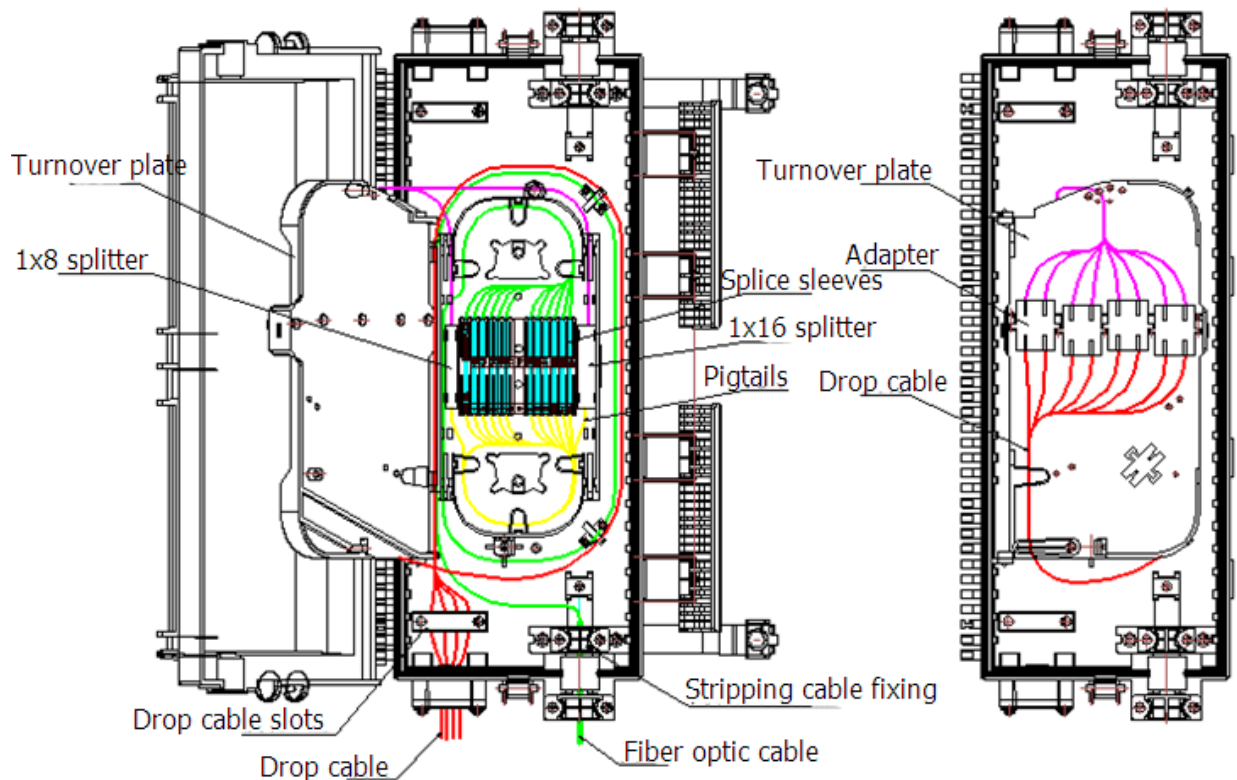
## 1. PRODUCT FEATURES

- 1) Both side have a cable hole applied to  $\varnothing 8 \sim \varnothing 14$  cable in and out without cutting.
- 2) It load 2 pcs 24 cores splice tray (OST-010G), max capacity is 48cores
- 3) Both side have a hole for FTTH cable, it can load 16pcs 2\*3mm cable or 8pcs 3\*3mm cable
- 4) It can load 1pc SC 1\*8 PLC splitter or SC 1\*16 PLC splitter in splice tray.
- 5) Aerial-hanger, IP65
- 6) Box body use ABS material. Light weight, compact structure.

## 2. DIMENSION



### 3. CABLE ARRANGEMENT



### 4. STANDARD ACCESORIES

Material	Qty	Material	Qty
Ring rubber gasket $\Phi$ 10 black	2pcs	Ring rubber gasket $\Phi$ 14 black	2pcs
Dummy Plug	1pcs	Cable tie pusher	1pcs
Additional Cable Support	2pcs	Abrasive strip 140*25mm	1pcs
Spiral wrap $\Phi$ 3*400mm	1pcs	Spiral wrap $\Phi$ 3*60mm	1pcs
Sealing grease	1pcs	Glue	1pcs
Cleaning tissue	1pcs	Sealing tape	1pcs
Circumference measuring tape	1pcs	Nylon cable tie 3*80mm white	9 pcs
Nylon cable tie 3*80mm black	32pcs	Protective sleeve 3*60mm	16 pcs

## 5. SELECTED ACCESORIES

Material	Qty	Remark
PLC splitter 1*8-SC/UPC	1pcs	Selected
PLC splitter 1*16-SC/UPC	1pcs	Selected
Fiber optic adapter SC/UPC/SX	17pcs	Selected
Fiber optic adapter SC/UPC/DX	8pcs	Selected
Fiber optic pigtail SC/UPC/0.9mm/1.5M	17pcs	Selected
Fiber optic fast connector SC/UPC	17pcs	Selected

## 6. PACKING INFO

Carton size	Goss weight	Qty/Carton
56*51*47cm	20kg	8sets