

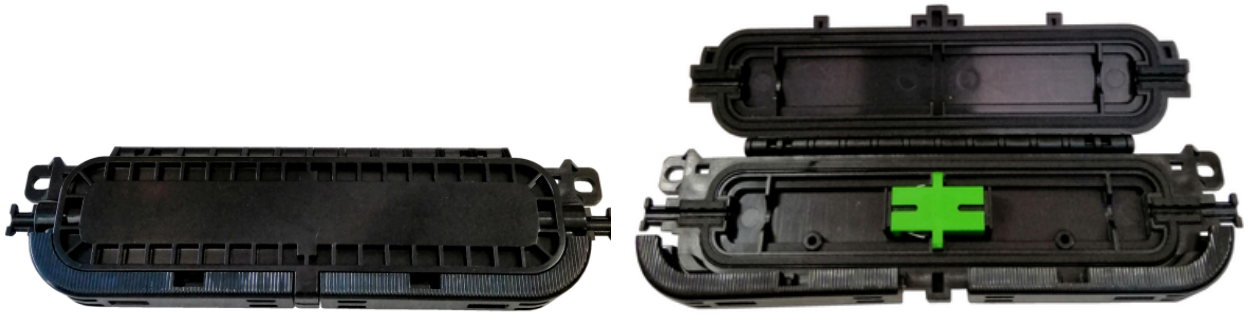


FTTH DROP CABLE PROTECTION BOX

AR-IDP1F-0

DESCRIPTION

AR-IDP1F-O is a fiber optic drop cable protection box that used for drop cable connecting, splice and protection. It can install 1pc SC simplex adapter and 2pcs fast connector connection inside. The box is made of high quality ABS material, and with sealing gasket between box cover and base for waterproof application. Both side can lead in/out 2*3mm FTTH drop cable or 3mm round cable.

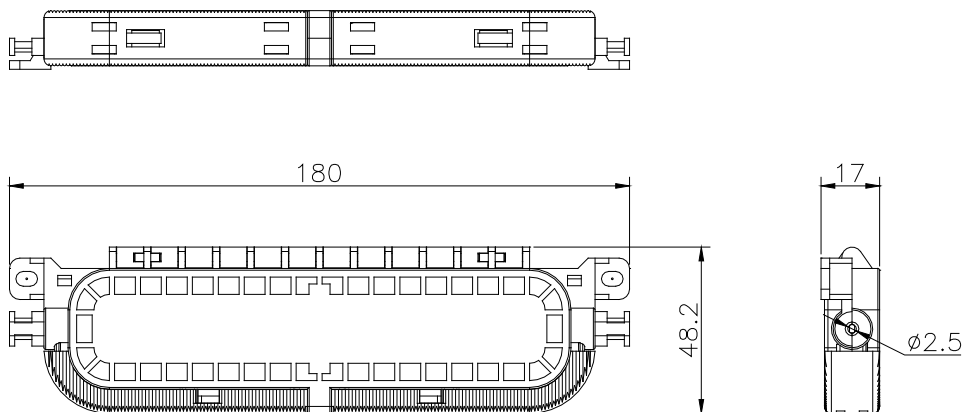


FEATURE

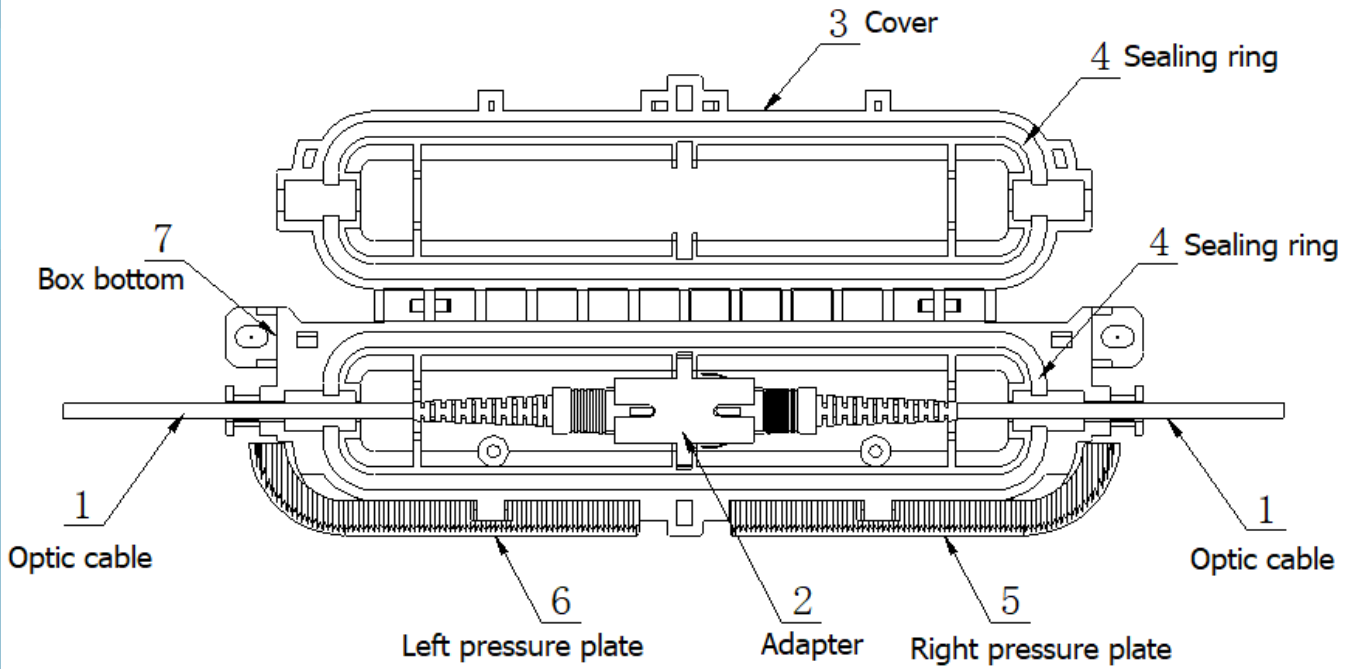
1. Fast connecting, Waterproof IP68 (waterproof under 0.3m water)
2. Small size, nice shape, convenient Installation.
3. Splice contact protection is stable & reliable, Protect cable from damaged or broken by external force.
4. Outdoor wall-mount & aerial hanged application.

SPECIFICATION

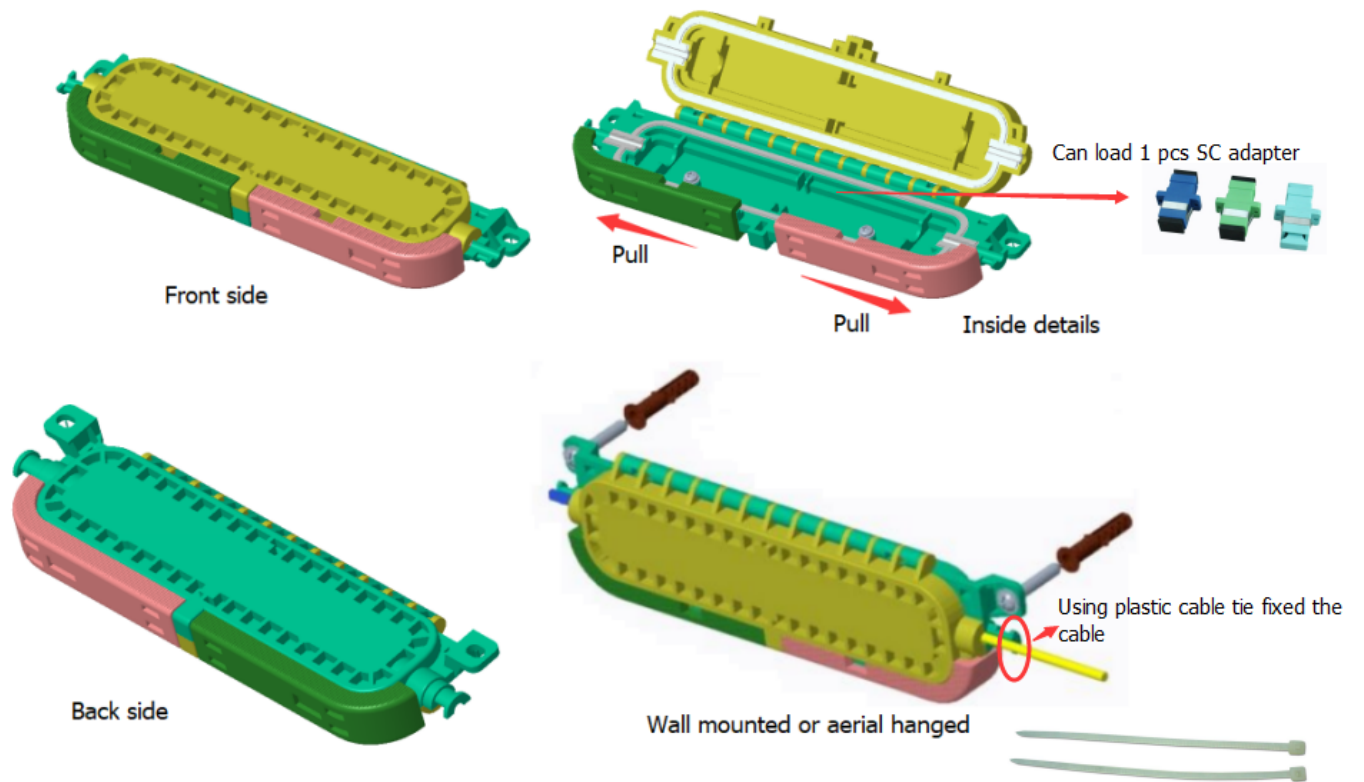
1. Size: 180*48.2*17mm
2. Material: High quality ABS Material



Details drawing



Images



ACCESORIES



Item	Description	Specification	Unit	Qty
1	Round head tapping screw	M3*6	PCS	2
2	Flat washer	Φ3	PCS	2
3	Wall mount screws (Round head with self-tapping screws)	M4*25	PCS	2
4	Wall mount plugs	Φ6mm/plastic material	PCS	2
5	Plastic Cable tie	3mm*120mm	PCS	2

PACKING LIST

Carton size (cm)	G.W (Kg)	Remark
53.5*40*29.5	Round head tapping screw	200pcs/CTN