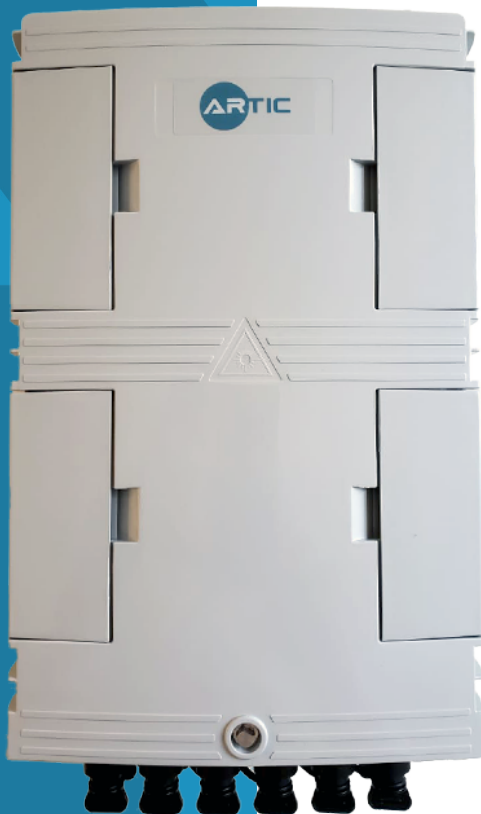




—  
**ONECLICK**



DISTRIBUTION  
BOX 16 PORT  
HARD CONNECT

**AR-DB16P-HC-PW**

## 1. OVERVIEW

Optical fibre cable distribution box is a wiring line device of user distributions in FTTH system, it provides protection and management for fiber cable, and be used for terminating, cable branching, cross connection.

It is mainly used for user access point in FTTH-ODN network , it can be divided into indoor and outdoor type according to the installation scenario, and can be divided into distribution type and optic-split type according to the function.

AR-DB16P-HC-PW is used as a termination point for the feeder cable to connect with drop cable in FTTx communication network system. The fiber splicing, splitting, and distribution can be done in this box, and meanwhile it provides solid protection and management for FTTx network building.

## 2. FOR THE ENVIRONMENT

- Operating temperature: -40°C~+65°C
- Relative humidity: ≤85% (40°C)
- Atmospheric pressure: 70Kpa~106Kpa
- Protection class: IP65

## 3. STANDARDS COMPLY

The following clauses quoted by this standard and become the standard clause. For dated references, subsequent amendments (excluding Corrigendum contents) or revisions do not apply to this standard, however, encourage the latest version of this specification according to the parties reach an agreement to study the possibility of using these files. The cited document without date, apply to the latest version of this specification.

UL 94, Test for Flammability of Plastic Materials for Parts in Devices and Appliances.

AR-DB16P-HC-PW Optical fiber cable distribution box

## 4. MAIN FEATURES

- Made of high quality engineer plastic material (PC), Good mechanical strength, Elegant appearance, sturdiness and durability.
- Suitable for indoor or outdoor , wall-mounted , pole installation.
- Built-in Stacked splice tray, easy for open, the splice tray can be taken down, easy for installation and maintenance.
- Fiber routing is reasonable.
- Clamping for feeder cable and drop cable, fiber splicing, fixation, storage, distribution...etc. All in one.
- Cable, pigtails, and patch cords are running through their own paths without disturbing each other. The installation and maintenance of micro type PLC is easy.

## 5. MAIN SPECIFICATION

- Insertion loss:  $\leq 0.2\text{dB}$
- UPC return loss:  $\geq 50\text{dB}$
- APC return loss:  $\geq 60\text{dB}$
- Thunder-proof technical datasheet

The insulation resistance between the grounding device and the metal parts of the box is no less than  $2\text{ IR} \geq 2 \times 10^4 \text{M}\Omega/500\text{V}(\text{DC})$ ;  $\text{IR} \geq 2 \times 10^4 \text{M}\Omega/500\text{V}$ .

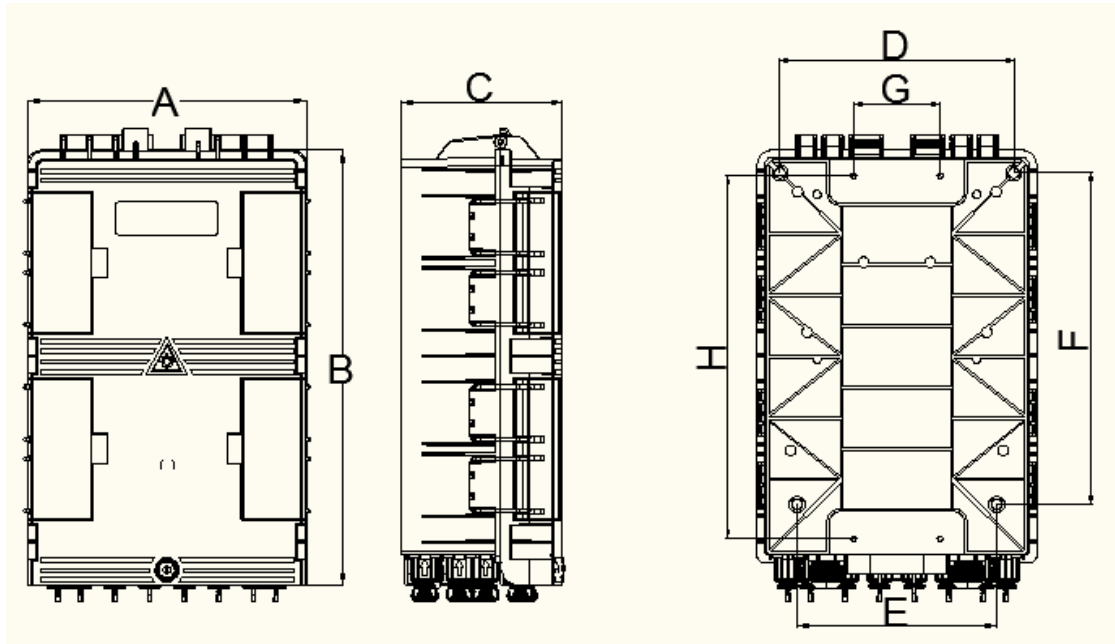
The voltage resistance between the grounding device, and the box and its metal parts is no less than  $3000\text{V}(\text{DC})/\text{min}$ , no puncture, no flashover;  $U \geq 3000\text{V}$ .

## 6. PICTURES



## 7. CONFIGURATION TABLE

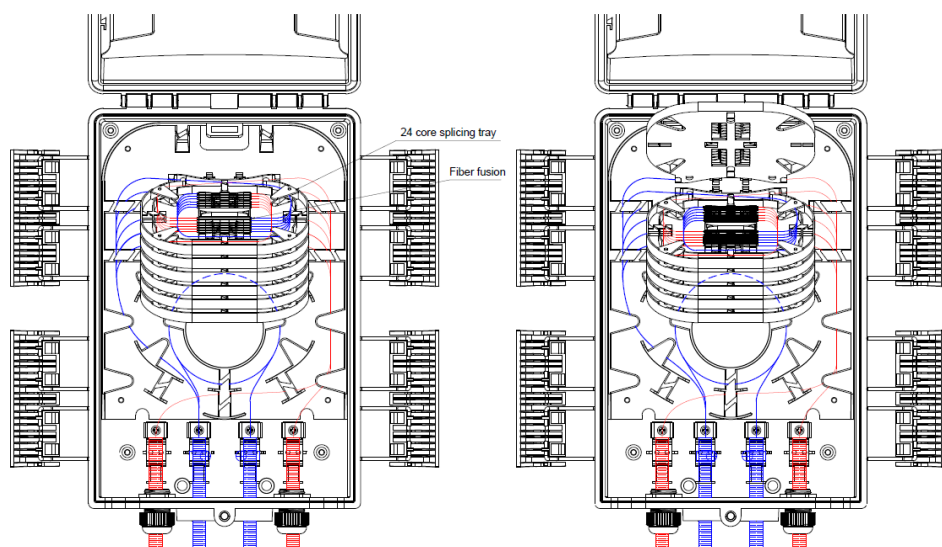
Model	Description	Size (Pic 1) A*B*C	Installation Size Pic 2) D*E*F/G*H	Max Capacity	Entry Cable Max. diameter(mm)
AR-DB16P- HC-PW	Splitter Box	210*330*121	176*150*250/65* 273	1.Users' Manual*1. 2.Key*1. 3.Accessories Bag*1. 4.Pole Ring*2(Optional).	14

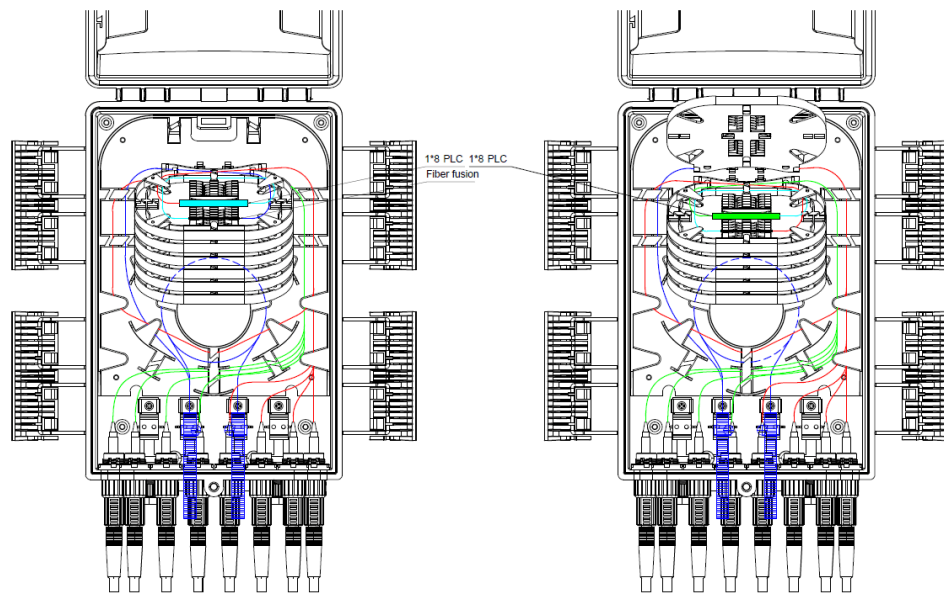


PIC 1 BOX SIZE

PIC 2 INSTALLATION SIZE

## 8. FIBER ROUTING DIAGRAM





PIC 3 FIBER ROUTING DIAGRAM

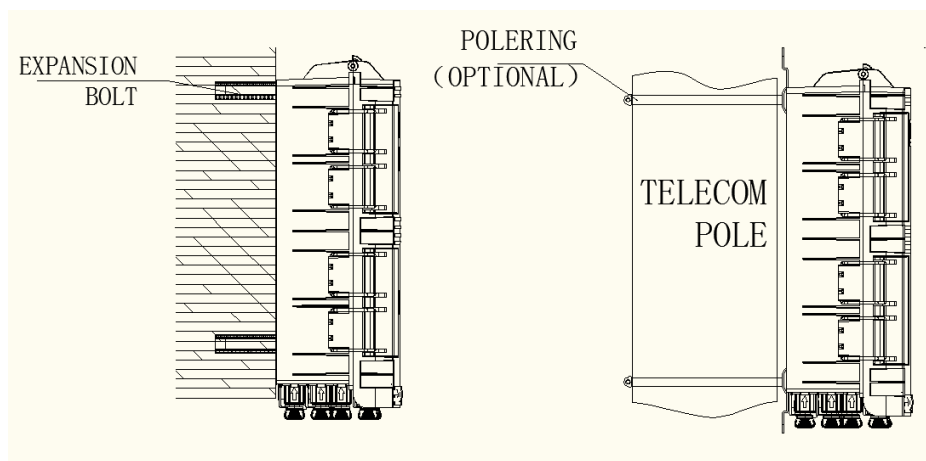
## 9. INSTALLATION

### 9.1 Wall-mounted installation

Drill 4 holes into the wall based on the size in table 1, place the expansion bolt  $\Phi 7.5*40$ , place the box to match up the holes and use bolt to fasten.

### 9.2 Pole-mounted installation

Fix 1 set of the pole ring to the telecom pole, as below.



PIC 4 INSTALLATION

## 10. FIBER CONNECTOR INSTALLATION



PIC 5 REMOVE THE FIBER CONNECTOR CAP AND REMOVE THE CERAMIC FERRULE CAP.



PIC 6 INSERT AND PULL OUT THE FIBER CONNECTOR

## 11 PACKING

- Packing: carton.
- Storage temperature:  $-40\text{ }^{\circ}\text{C} \sim +65\text{ }^{\circ}\text{C}$ .
- Storage humidity:  $\leq 95\%$  ( $30\text{ }^{\circ}\text{C}$ ), no corrosive gases around;
- Transport: cars, trains, ships and aircraft.
- Transportation to avoid collisions, falls, rain and snowpouredirectly attack and daylight exposure.