



# FIBER OPTIC DISTRIBUTION BOX IP68

**AR-DB-8P-IP68**

## DESCRIPTION

The equipment is used as a termination point for the feeder cable to connect with drop cable in FTTx communication network system. The fiber splicing, splitting, and distribution can be done in this box, and meanwhile it provides solid protection and management for the FTTx network building.

## FEATURES

- 1 Total enclosed structure.
- 2 Material: PP, wet-proof, water-proof, dust-proof, anti-aging, protection level up to IP68.
- 3 Clamping for feeder cable and drop cable, fiber splicing, fixation, storage, distribution...etc all in one.
- 4 Cable, pigtails, and patch cords are running through their own paths without disturbing each other, micro type PLC splitter installation, easy maintenance.
- 5 Distribution panel can be flipped up, feeder cable can be placed by expression port, easy for maintenance and installation.
- 6 Support pole/wall mounting, aerial cable mounting installation, suitable for both indoor and outdoor use.
- 7 Adapter type: SC/LC/DLC/ST.

## SPECIFICATION

- 1 Environmental requirement:  
Working temperature:  $-40\text{ }^{\circ}\text{C}\sim+85\text{ }^{\circ}\text{C}$   
Relative humidity:  $\leq 85\%$  ( $+30\text{ }^{\circ}\text{C}$ ).  
Atmospheric pressure:  $70\text{KPa}\sim 106\text{Kpa}$ .

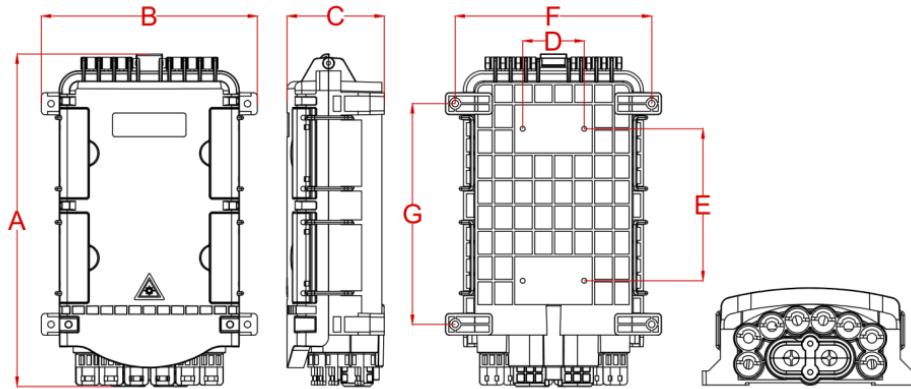
- 2 Main technical datasheet:  
Insertion loss:  $\leq 0.3\text{dB}$   
UPC return loss:  $\geq 50\text{dB}$   
APC return loss:  $\geq 60\text{dB}$ .

- 3 Thunder-proof technical datasheet:  
The insulation resistance between the grounding device and the metal parts of the box is no less than  $2 \times 10^4\text{ M}\Omega/500\text{V}$  (DC);  $IR \geq 2 \times 10^4\text{ M}\Omega/500\text{V}$ .  
The voltage resistance between the grounding device, and the box and its metal parts is no less than  $3000\text{V}$  (DC)/min, no puncture, no flashover;  $U \geq 3000\text{V}$ .

## CONFIGURATION TABLE

Table 1 Model and configuration

Model	Size (Pic 1) A*B*C	Max Capacity	Installation Size (Pic 2) D*E/F*G/H	Maximum main cable diameter (mm)	Cable outlet size (mm) interchangeable	Main cable ports
AR-DB-8P-IP68	280*182*82	12	52*128/166*186	13	2*3 / ø5	2 (Oval port)

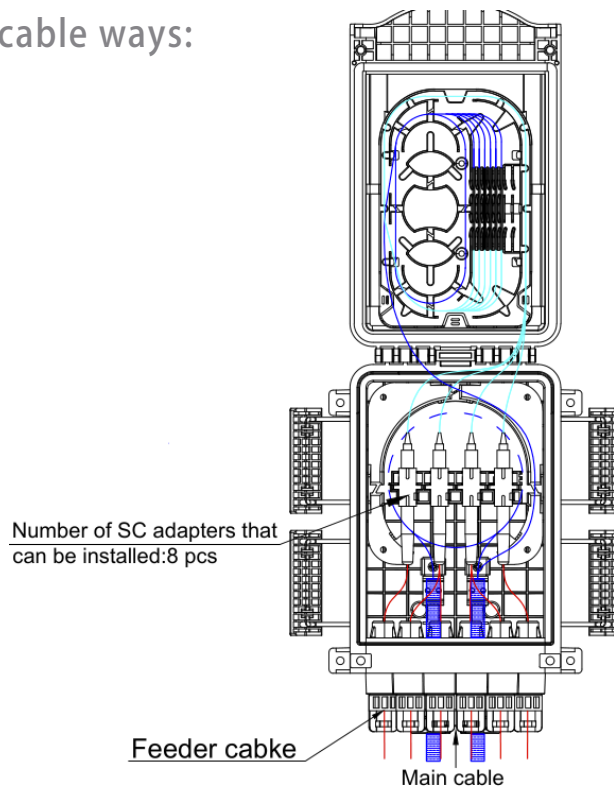


PIC 1 BOX SIZE

PIC 2 INSTALLATION SIZE

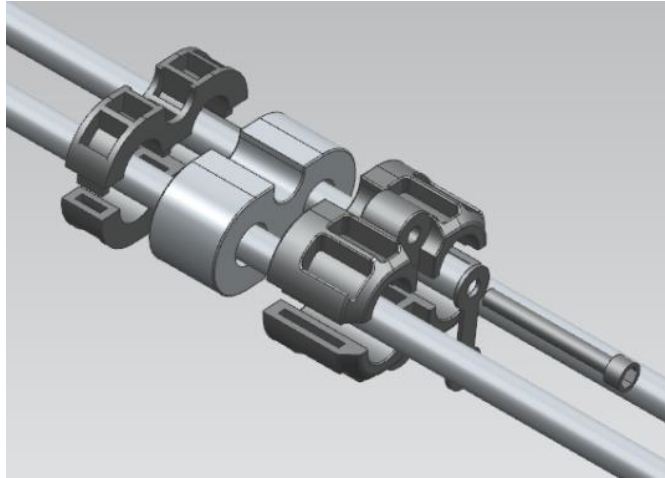
## PRODUCT

### 5.1 Product cable ways:



## 5.2 Fast Plug

Fast installation, fastening, and sealing of straight-through optical cable with the Fast Plug.



## INSTALLATION

### 1 Wall-mounted installation.

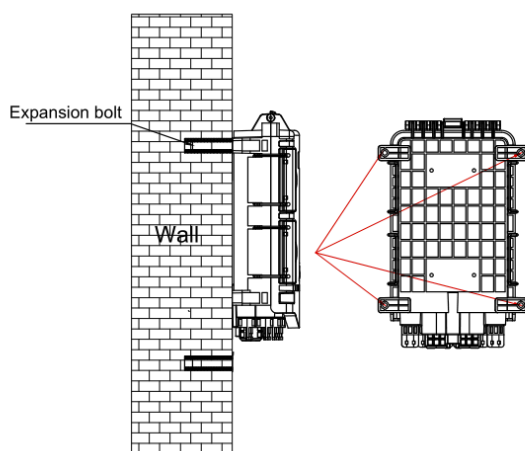
According to the dimensions in Table 1, drill 4 holes in the wall, place the expansion bolt  $\Phi 7.5 \times 40$ ; 4 of them are fixed with bolts and reserve 3mm clearance. Hang the product on four bolts, and finally fix the bottom two screws. (Pic 3)

### 2 Pole-mounted installation

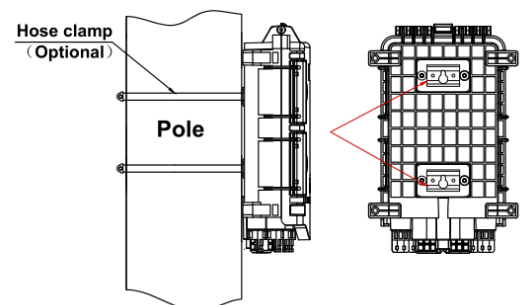
Fix 1 set of the pole ring to the telecom pole (Pic 4)

### 3 The overhead structure

Tie the two installed on the chassis of the overhead hung on the wire, and then bolted, prevent the case fall off. (Pic 5)

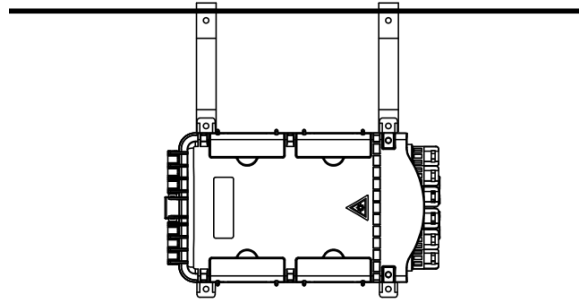


PIC 3 WALL MOUNTED INSTALLATION



PIC 4 POLE MOUNTED INSTALLATION





PIC 5 THE OVERHEAD STRUCTURE

## ACCESSORIES

- 1 Users' Manual\*1.
- 2 Accessories Bag\*1.
- 3 Pole Ring\*2 (Option).

