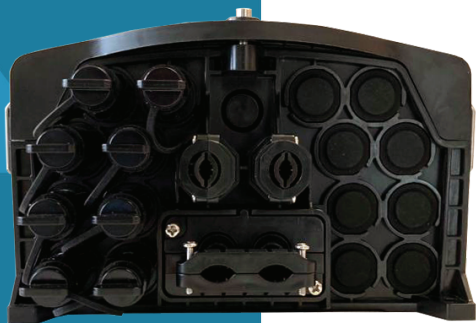




**ONECLICK**



# DISTRIBUTION BOX CXS - 8 PORT HARD CONNECT

AR-DB-CXS-16P-HC-  
08P-FUS

## 1. DESCRIPTION

The equipment is used as a NAP (Network access point ) to connect fiber optics from metropolitan network to the splitters located inside the box. It can also be used as a termination point for the feeder cable to connect with drop cable in FTTx communication network system. The fiber splicing, splitting, and distribution can be done in this box, and meanwhile it provides solid protection and management for de FTTx network building.

## 2. FEATURES

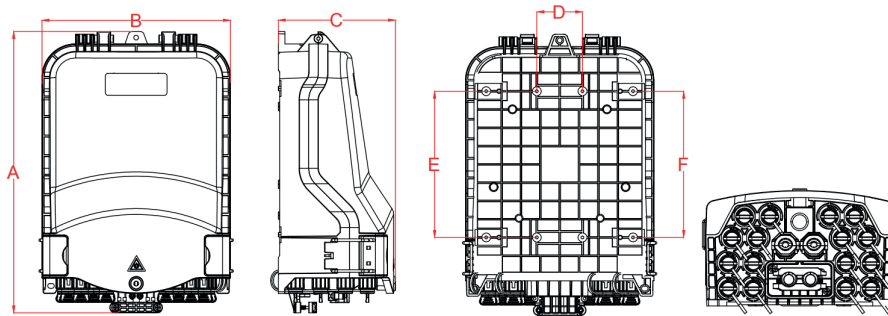
1. Total enclosed structure
2. Material: PC+ABS, wet-proof, water proof, dust-proof, anti aging, protection level up to IP65.
3. Clamping for feeder cable and drop cable, fiber splicing, fixation storage, distribution...etc, all in one.
4. Cable, pigtailed and patch cords are running through their own paths without disturbing each other micro type PLC splitter installation, easy maintenance.
5. Distribution panel can be flipped up, feeder cable can be placed by expression port, easy for maintenance and installation.
6. Box can be installed by the way of wall-mounted or poled-mounted, suitable for both indoor and outdoor use.

## 3. SPECIFICATION

1. Environmental requirement  
Working temperature  $-40^{\circ}\text{C} \sim +85^{\circ}\text{C}$   
Relative humidity  $\leq 85\%$  ( $+30^{\circ}\text{C}$ )  
Atmospheric pressure  $70 \text{ KPa} \sim 106 \text{ Kpa}$
2. Main technical datasheet  
Insertion loss:  $\leq 0.3 \text{ dB}$   
UPC return loss  $\geq 50 \text{ dB}$   
APC return loss  $\geq 60 \text{ dB}$
3. Thunder-proof technical datasheet  
The insulation resistance between the grounding device and the metal parts of the box is no less than  $2 \times 10^4 \text{ M } \Omega / 500 \text{ V (DC)}$ ;  $\text{IR} \geq 2 \times 10^4 \text{ M } \Omega / 500 \text{ V}$   
The voltage resistance between the grounding device and the box and its metal parts is no less than  $3000 \text{ V (DC/min)}$ , no puncture, no flashover  $U \geq 3000 \text{ V}$

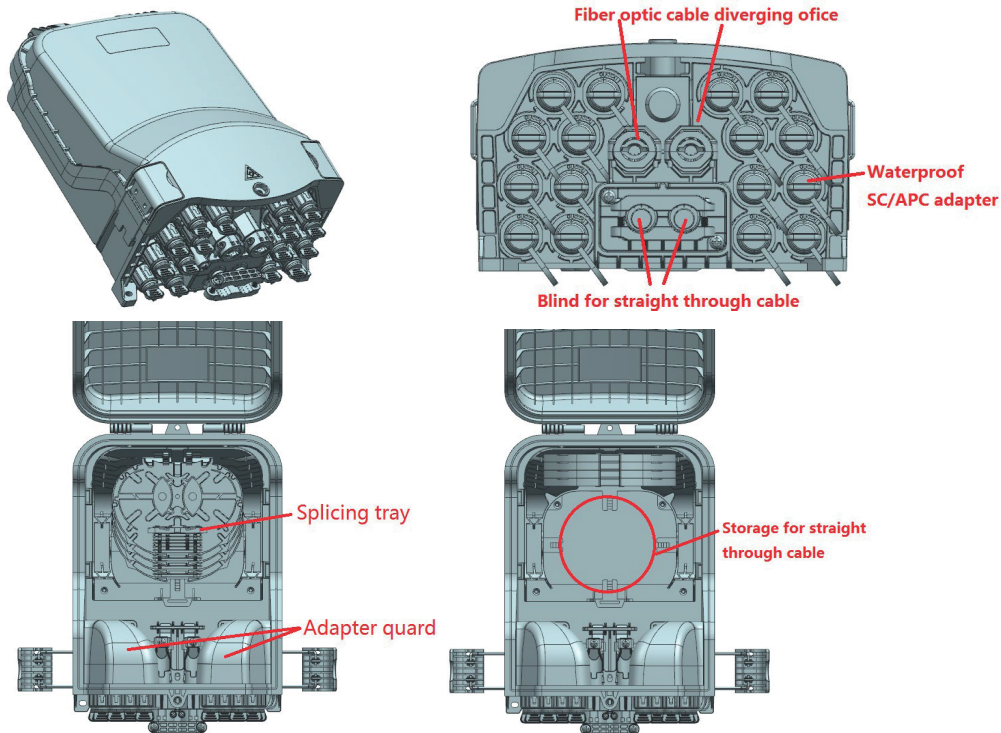
## 4. CONFIGURATION TABLE

Model	Size (Pic 1) A*B*C (mm)	Max Capacity	Installation Size (Pic 2) D*E*F (mm)	Into the largest cable diameter (mm)	Maximum size of branch hole (mm)	Waterproof SC/APC Adapter
AR-DB-CXS-16P-HC-08P-FUS	319.3*214*133.4	8	52*166*166	ø8~14	ø8	8



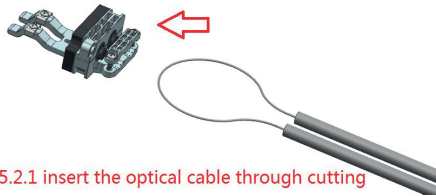
## 5. PRODUCT CABLE WAYS

### 5.1. PRODUCT CABLE WAYS

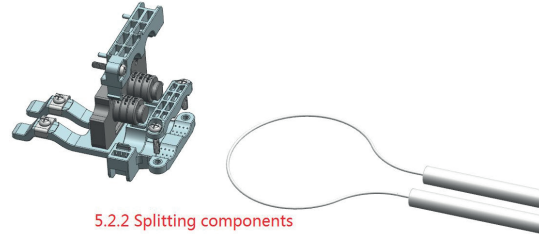


## 5.2. FAST PLUG

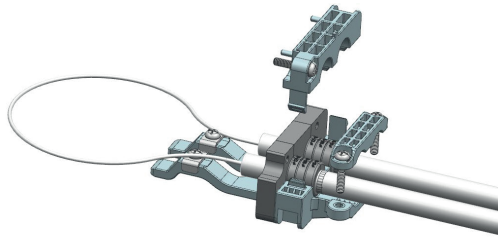
Fast installation, fastening, and sealing of straight-through optical cable with the Fast Plug



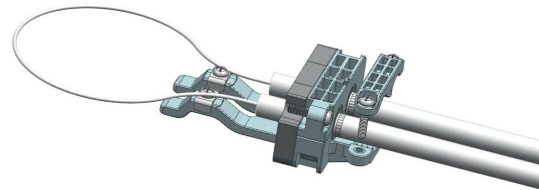
5.2.1 insert the optical cable through cutting



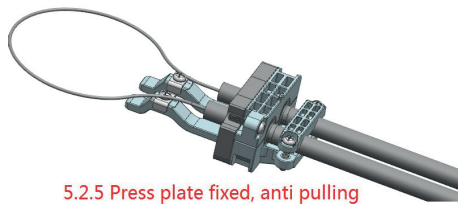
5.2.2 Splitting components



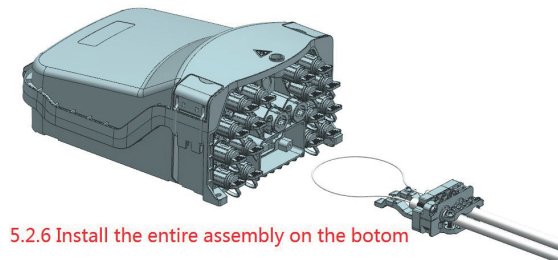
5.2.3 Install the optical cable on the silica gel part



5.2.4 Fastening plastic parts

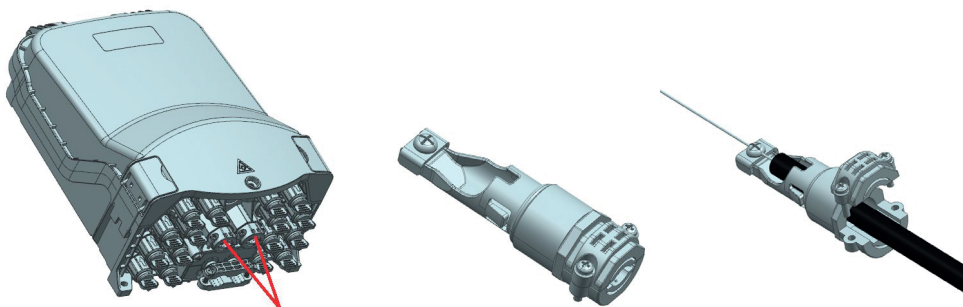


5.2.5 Press plate fixed, anti pulling

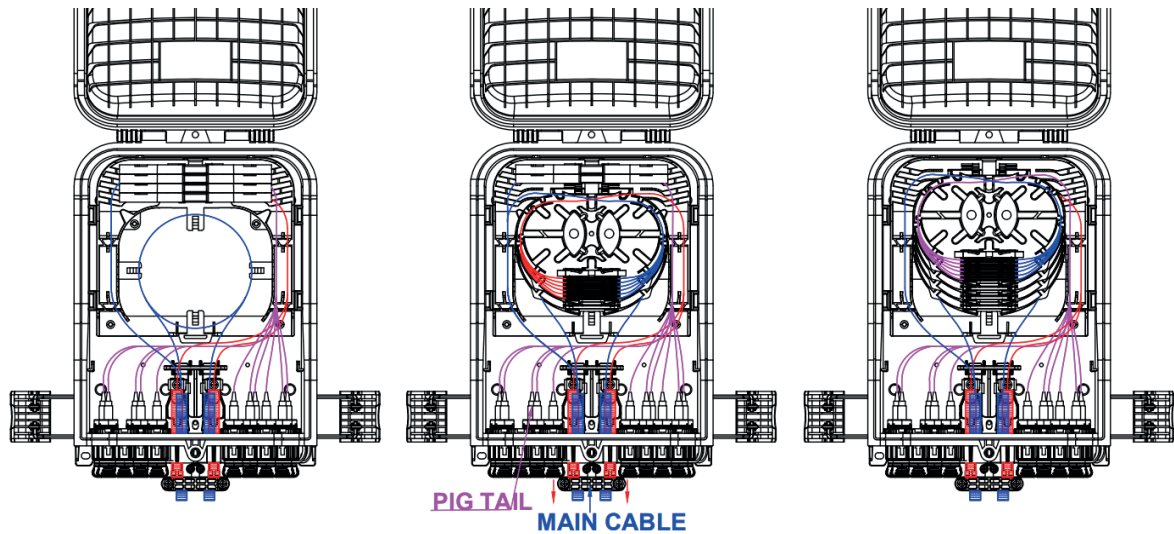


5.2.6 Install the entire assembly on the bottom

## 5.3. FIBER OPTIC CABLE BIFURCATION

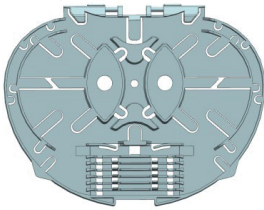
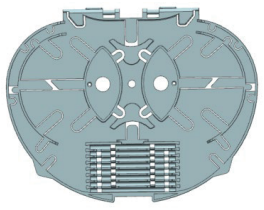


## 5.4. PRODUCT CABLE WAYS



Pic 3 AR-DB-CXS-16P-HC-08P-FUS Cable Ways

## 5.5. SPLICING TRAY

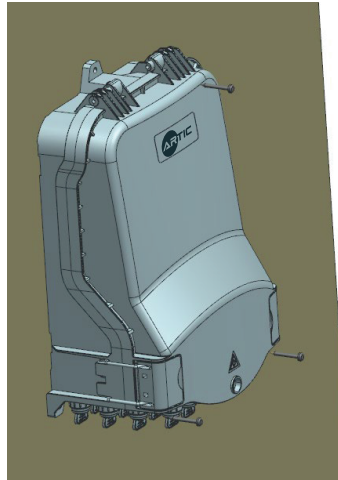
Item	Splicing tray A	Splicing tray B
Dimensions(H x W x D; unit: mm)	134*104*8	134*104*4
Net weight (unit: kg)	0.021	0.015
Picture		
Color	RAL7035	RAL7035
Material	PC+ABS	PC+ABS
Splicing capacity of a tray(cores)	12(2 layer), 1 slot for 1/8 PLC	8(1 layer)

## 6. INSTALLATION

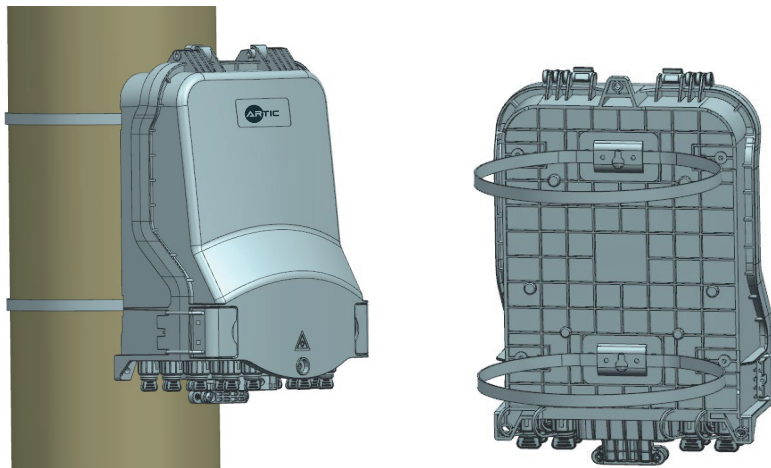
1. Wall mounted installation  
Drill 3 holes into the wall based on the size in table 1, place the expansion bolt  $\varnothing 7.5*40$ , place the box to match up the holes and use bolt to fasten
2. Pole-mounted installation  
Fix 1 set of the pole ring to the telecom pole (Pic 5)

### 3. The overhead structure

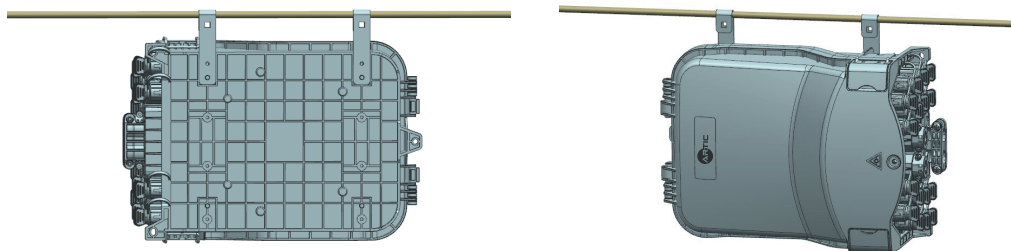
Tie the two installed on the chassis of the overhead hung on the wire, and then bolted, prevent the case fall off. (Pic 6)



Pic 4 wall mounted installation

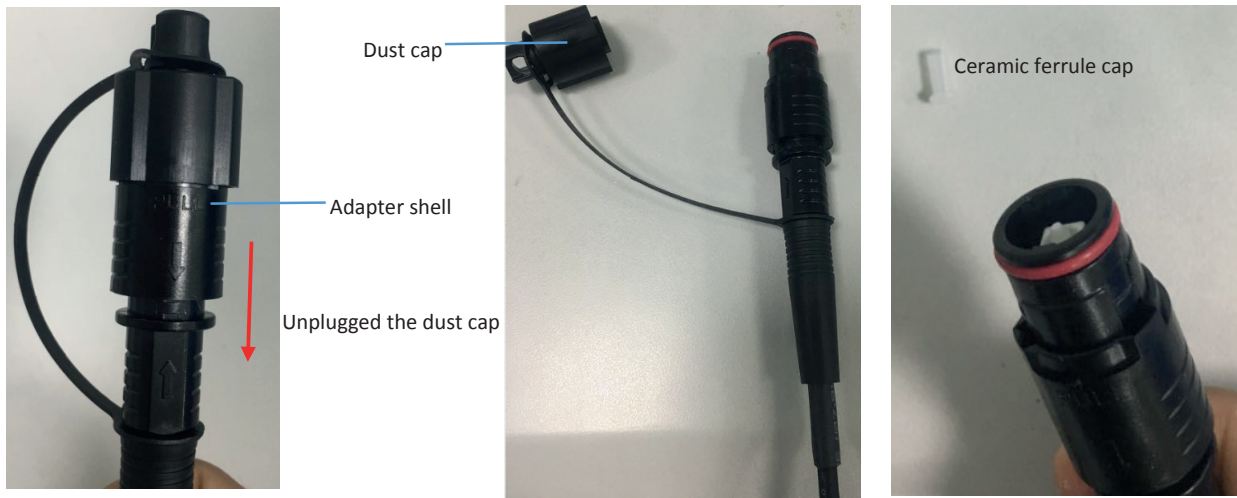


Pic 5 Pole mounted installation



Pic 6 the overhead structure

## 7. FIBER CONNECTOR INSTALLATION



Pic 7 Remove the fiber connector dust cap and remove the ceramic ferrule cap



Pic 8 Insert and Pull out the fiber connector

## 8. ACCESSORIES

1. Users' Manual\*1
2. Accessories Bag\*1
3. Pole Ring \*1 (Option)