

INDOOR DISTRIBUTION- TERMINAL BOX 2 + 8 PORTS

AR-TB-10P-TE
AR-TB-10P-50/50-TE
AR-TB-10P-60/40-TE
AR-TB-10P-70/30-TE
AR-TB-10P-80/20-TE
AR-TB-10P-90/10-TE

1. General

1.1 Description

Optical distribution box as the most advanced FTTX network distribution node equipment, provide quick and reliable connection, good protection and management for the FTTX network.

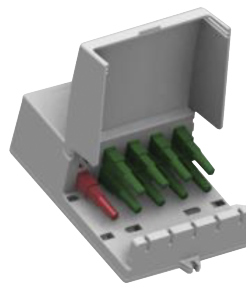
Production type

AR-TB-10P-xx/xx-TE

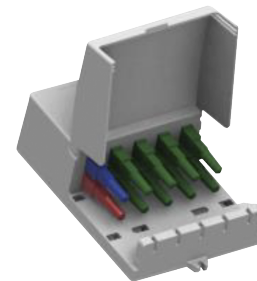
xx represents splitter configuration

Classification

Fiber optic cable distribution box



Pic 1. AR-TB-10P-TE



Pic 2. AR-TB-10P-xx/xx-TE

1.2 Standards Comply

The production offered by ARTIC are designed, manufactured and tested according to the standards as follows:

IEC 62134-1-2002	Fiber optic enclosures - Part 1: Generic specification
IEC61300-2	Fiber optic interconnecting devices and passive components - Basic test and measurement procedures
IEC60068-2	Basic environmental testing procedures for electric and electronic products

1.3 Applications Environment

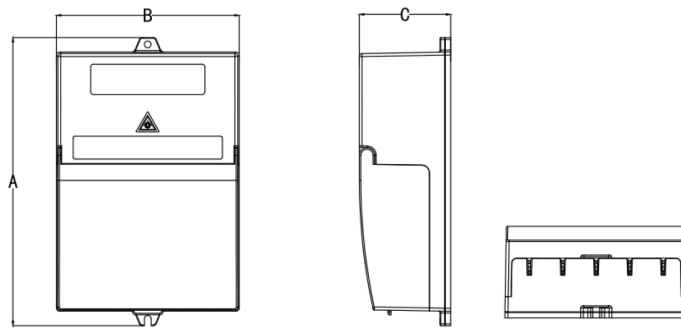
Item	Value
Operation temperature	-40 °C~+65 °C
Installation temperature	-15 °C~+40 °C
Storage temperature	-45 °C~+75 °C
Relative humidity	≤85% (+30°C)
Atmospheric pressure	70KPa~106Kpa

2. Characteristics

1. Advanced structure design, Small size and reasonable structure.
2. Material: PC+ABS.
3. Dust-proof, anti-aging.
4. Protection level up to IP4X.
5. The interior is equipped with 1x2 FTB splitter,1x8 PLC splitter.
6. Installation method: wall-mounted.

3. Specifications

3.1 Mechanical specifications



Pic.3 AR-TB-10P-TE / AR-TB-10P-xx/xx dimensions

Item	Specification	Specification
Material of housing	PC+ABS	
Material of internal components	ABS	
Material of metal accessory	High-quality stainless steel	
External dimension (mm)	189*120*60mm	A*B*C
Color	White	
Number of adaptor	10	AR-TB-10P-xx/xx-TE (1 red, blue, 8 green)
	9	AR-TB-10P-TE (1red, 8 green)
Splitter	1x2 FBT splitter + 1x8 PLC splitter	AR-TB-10P-xx/xx-TE default ratio of 1x2 FBT splitter is 70% / 30%
	1x8 PLC splitter	AR-TB-10P-TE
IP grade	IP4X	
Flammability	UL94-HB	Default
Neutral salt spray test (NSS)	48h	

3.2 Optical specifications

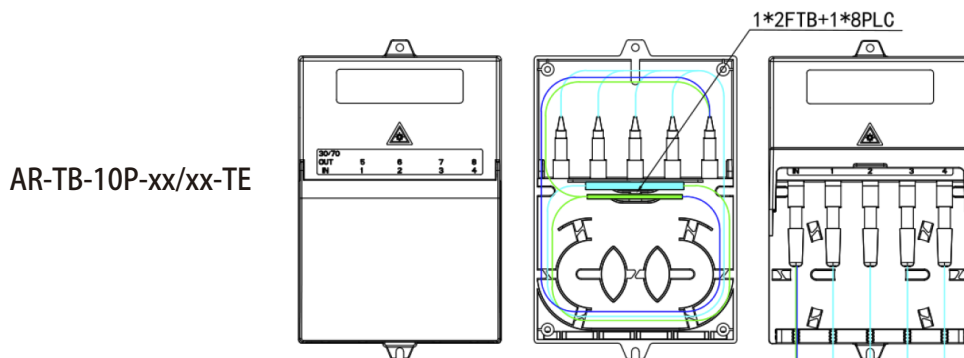
Model	Splitter	IL(dB)		RL(dB)	IL(dB)	Test method
		Splitter		Distribution box		
AR-TB-10P-90/10-TE	1*2 FBT (90/10) + 1*8 PLC Splitter, with SCAPC connector	1*2 FBT (90%)	≤0.83	≥55	≤1.03	IL: IEC61300-3-4 Method B
		1*2 FBT (10%) + 1*8 PLC	≤21.7	≥55	≤21.9	
AR-TB-10P-80/20-TE	1*2 FBT (80/20) + 1*8 PLC Splitter, with SCAPC connector	1*2 FBT (80%)	≤1.4	≥55	≤1.6	RL: IEC61300-3-6 Method 1
		1*2 FBT (20%) + 1*8 PLC	≤18.3	≥55	≤18.5	
AR-TB-10P-70/30-TE	1*2 FBT (70/30) + 1*8 PLC Splitter, with SCAPC connector	1*2 FBT (70%)	≤2.1	≥55	≤2.3	
		1*2 FBT (30%) + 1*8 PLC	≤16.5	≥55	≤16.7	
AR-TB-10P-60/40-TE	1*2 FBT (60/40) + 1*8 PLC Splitter, with SCAPC connector	1*2 FBT (60%)	≤2.8	≥55	≤3	
		1*2 FBT (40%) + 1*8 PLC	≤15.2	≥55	≤15.4	
AR-TB-10P-50/50-TE	1*2 FBT (50/50) + 1*8 PLC Splitter, with SCAPC connector	1*2 FBT (50%)	≤3.8	≥55	≤4	
		1*2 FBT (50%) + 1*8 PLC	≤14.3	≥55	≤14.5	
AR-TB-10P-TE	1*8 PLC Splitter, with SCAPC connector	1*8 PLC	≤10.5	≥55dB	≤10.7	

The optical parameters shown in the table above are default values, and can be customized according to requirements.

3.3 Port color

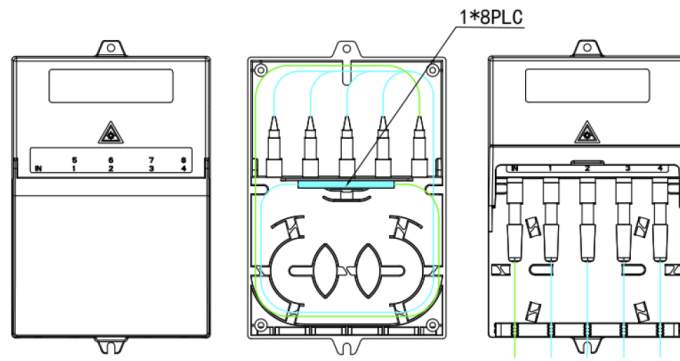


The color of the product may vary and is for reference only.



Pic.4 AR-TB-10P-xx/xx-TE routing

AR-TB-10P-TE

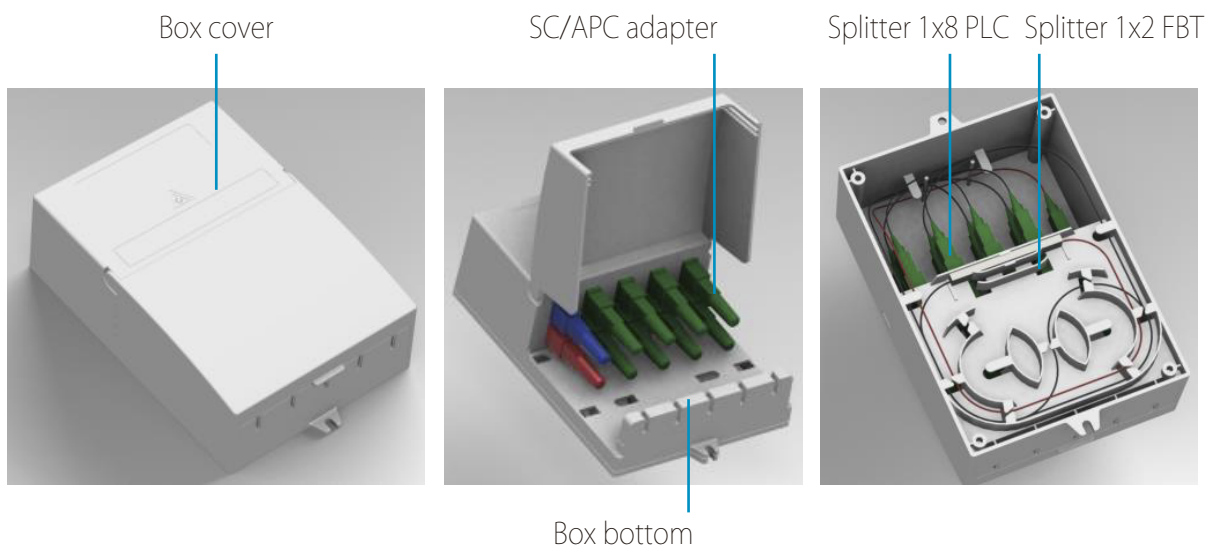


Pic.5 AR-TB-10P-TE routing

5. Configuration

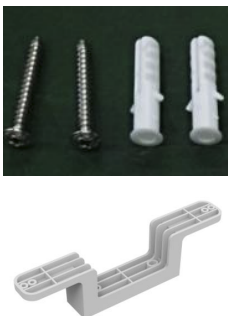
5.1 Main parts

No.	Part name	Unit	Quantity	Remark
1	Box bottom	pcs	1	
2	Box cover	pcs	1	
3	Adaptor	pcs	10	AR-TB-10P-xx/xx-TE
4		pcs	9	AR-TB-10P-TE
5	Splitter 1x2 FBT	pcs	1	Only installed in AR-TB-10P-xx/xx-TE
6	Splitter 1x8 PLC	pcs	1	



Pic.6 Structure

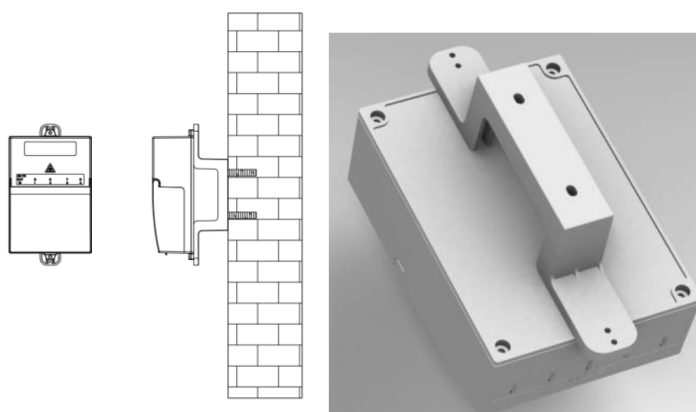
5.2 Accessories

No.	Part name	Reference picture	Unit	Quantity	Remark
1	Users ´ manual	/	pcs	1	EN
2	Splitter test report	/	pcs	1	EN
3	Wall-mounted kit		set	1	Optional as customer ´ s request

6. Installation

6.1. Wall-mounted installation

Drill 3 holes in the wall according to the dimension in table 2, place the expansion plug $\Phi 7.5*40$, place the box to match up the holes and use screws to fasten. (Pic.7)



Pic.7 Wallmounted installation

7. Package

Item	Material	Size (mm)	Quantity	Gross weight (kg)
Independent product packaging	Carton	200x125x120	1	0.4
Outer packaging carton	Carton	420x270x630	40	17