

DIELECTRIC CABLE STORAGE TRAY

AR-D-CROSS

DIELECTRIC CABLE STORAGE TRAY TECHNICAL SPECIFICATION

1. General

1.1 Description

Cable storage tray is used to storage excess drop cable . Usually, it is installed on the back of fiber access box.

Production type	Classification
AR-D-CROSS	Plastic cable storage tray



1.2 Applications Environment

The cable offered by ARTIC are designed, manufactured and tested according to the standards as follows:

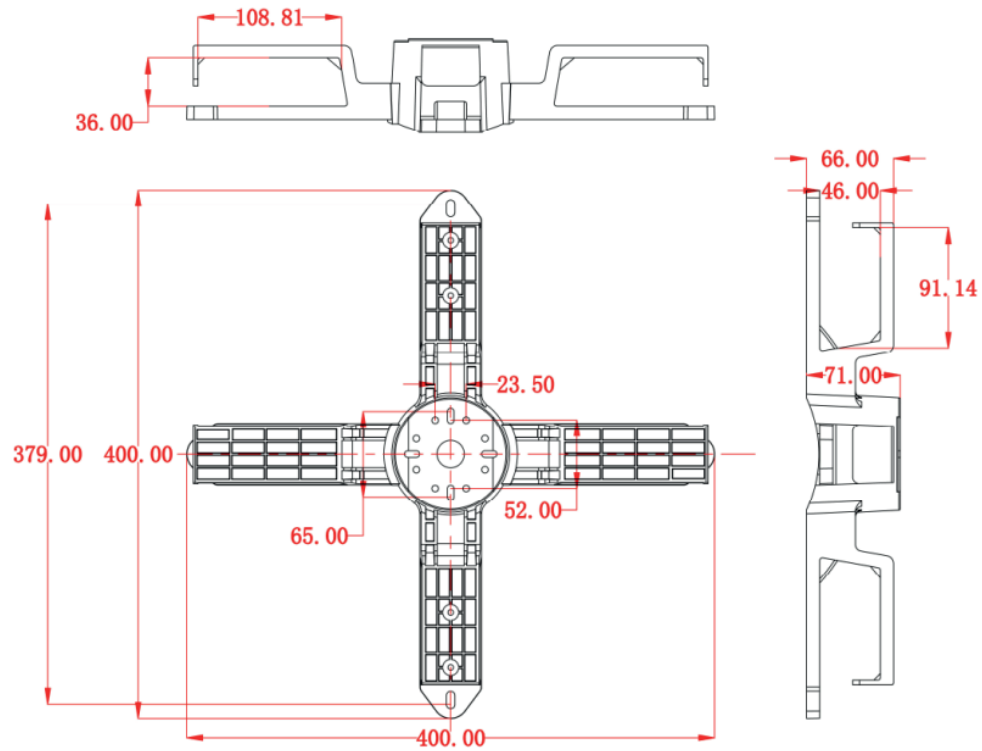
Item	Value
Operation temperature	-40 °C~+65 °C
Installation temperature	-15 °C~+40 °C
Storage temperature	-45 °C~+75 °C
Relative humidity	≤85% (+30°C)
Atmospheric pressure	70KPa~106Kpa

2. Characteristics

1. Beautiful and easy to use.
2. The cable storage is easy to operate and fix.
3. Material: PP, Material stability.
4. Suitable for various environments.
5. Drop cable(Φ5.0mm round drop cable) storage length up to 100m

3. Specifications

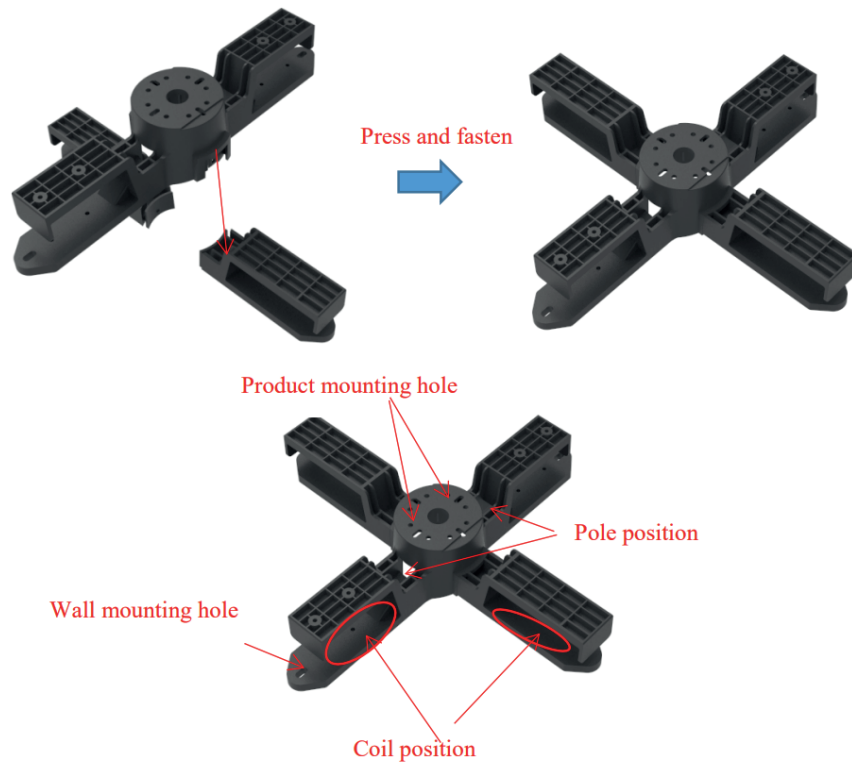
3.1 Mechanical specifications



Item	Specifications	Remark
Material of housing	PP	
Material of metal accessory	High-quality stainless steel	
External dimension(mm)	400*400*71 mm	
Color	Black	
Storage length	100m(Φ5mm round dropcable)	
Flammability	UL-94HB	Default
Neutral salt spray test (NSS)	48h	

4. Installation instructions

4.1 Cable storage tray structure



4.2 Typical installation diagram



4.3 List of installable products

Model	AR-DB-CDO10P-HC-70/30-1R-1B-8BL	AR-DB-CDO-12P-HC-70/30
	AR-DB-CDO10P-HC-50/50-1R-1G-8BL-R1-B	AR-DB-CDO-12P-HC-50/50
	AR-DB-CDO-10P-HC	AR-DB-CDO-12P-HC
	AR-DB-CXS-16P-HC-S1A	AR-DB-CXS-16P-HC-S1B

5. Typical installation

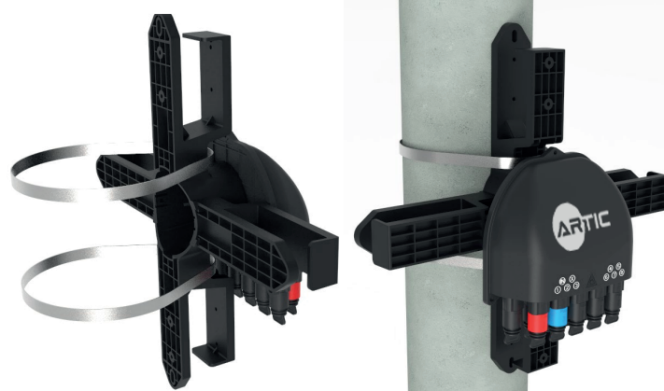
5.1. Wall-mounted installation

Drill 2 holes on the wall according to the location and size of wall mounting holes, place the expansion plug $\Phi 7.5 \times 40$, place the box to match up the holes and use screws to fasten.
(Pic.6& Pic.7)

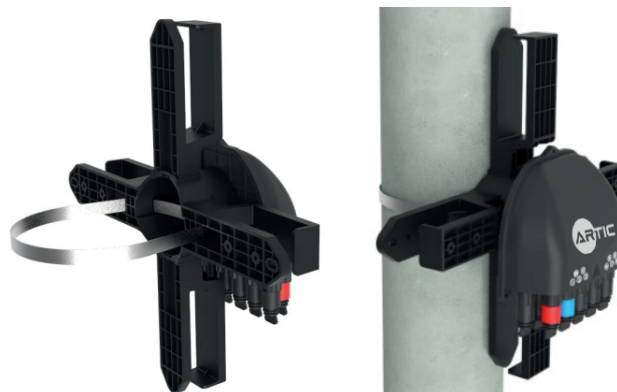


5.2. Pole-mounted installation

Pass the stainless steel belt through the slot of the back plate and fix it on the pole (Pic.8 & Pic.9)



Pic.8 AR-D-CROSS Pole-mounted installation



Pic.9 AR-D-CROSS Pole-mounted installation

6. Package

Item	Material	Size(mm)	Quantity	Gross weight(kg)
Independent product packaging	Carton	405*100*75	1	0.45
Outer packaging carton	Carton	425*425*410	20	10

Note: Without drop cable storage tray