



**DISTRIBUTION  
TERMINAL BOX  
16 PORTS  
FAST CONNECT  
COMPATIBLE**

**AR-DB-TB16P-HC-FC**

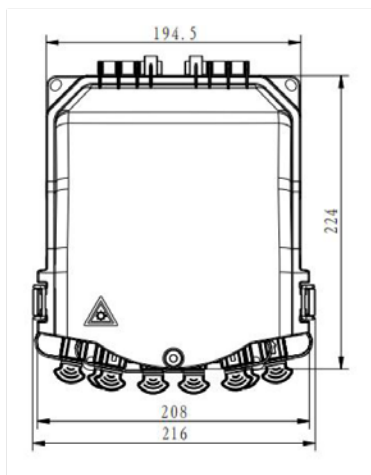
## 1. Overview

This kind of terminal box from ARTIC can connect the drop cable with feeder cable as the termination point in the FTTX network, which is cable to meet at least 16 users requirements. It can help splicing, splitting, storage and management with suitable space.

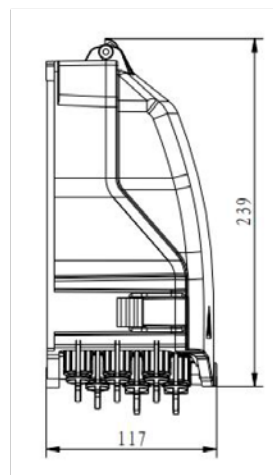
## 2. Technical Index

|                             |                                 |
|-----------------------------|---------------------------------|
| Model No.                   | AR-DB-TB16P-HC-FC               |
| Color                       | Black, Grey White.              |
| Capacity                    | 16F                             |
| Protection Level            | IP55                            |
| Material                    | PC+ABS, ABS                     |
| Flame retardant performance | Non-flame retardant             |
| Dimension(L*W*D,MM)         | 216*239*117mm                   |
| Splitter                    | Can be with 2x1:8 tube splitter |

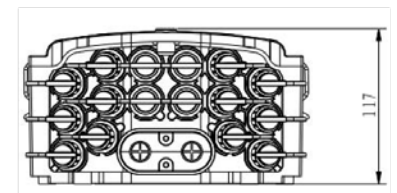
The dimension diagram:(mm)



Pic#1: Top View



Pic#2: Side View



Pic#3: Front View

### 3. Features

- 3.1 The body is made of high quality engineering plastic with good strength;
- 3.2 With safe special-shaped lock, the box can be opened easily and has good water-proof performance, suitable for indoor and outdoor natural environments (Pic#4 for details);
- 3.3 With water-proof adapter, the box can be operated more conveniently ( Pic#5 for details)
- 3.4 With double-page design, the box can be installed and maintained easily, the fusion and termination are completely separated ( Pic#6 for details);
- 3.5 The drop leaf can be installed 2 pcs of 1\*8 tube splitter ( Pic#7 for details).

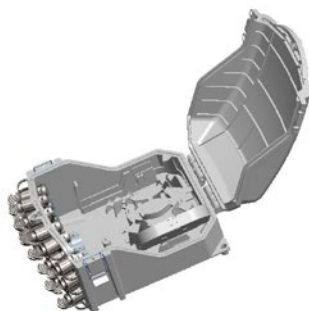
### Pictures for reference



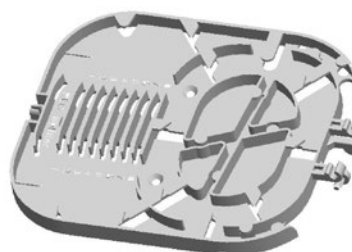
Pic. 4



Pic. 5



Pic. 6



Pic. 7

### 4 Package Information

- 4.1 Plastic bag size: 500\*410mm
- 4.2 Inner box with single corrugated size: 275\*230\*127mm
- 4.3 Carton with double corrugated size: 475\*290\*650mm (10PCS/Box)
- 4.4 Weight per carton: 10.5KG