



Distribution
box Indoor 8
ports SC APC
AR-IDB-8P-2



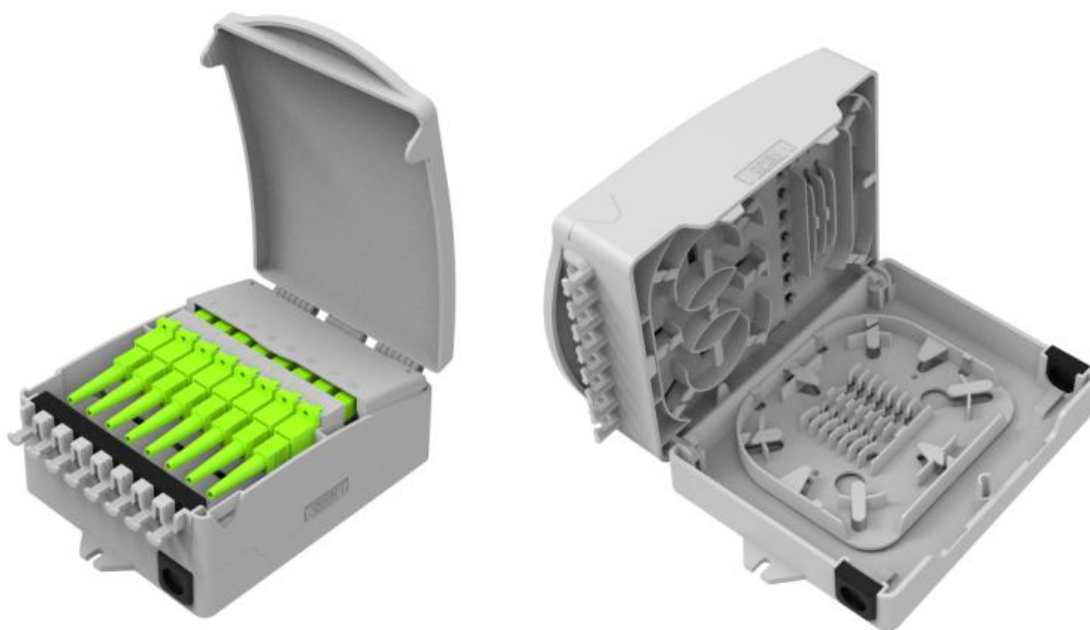
① General

1.1 Scope

The equipment is used as a termination point for the feeder cable to connect with drop cable in FTTx communication network system. The fiber splicing, splitting, distribution can be done in this box, and meanwhile it provides solid protection and management for the FTTx network building.

1.2 Application

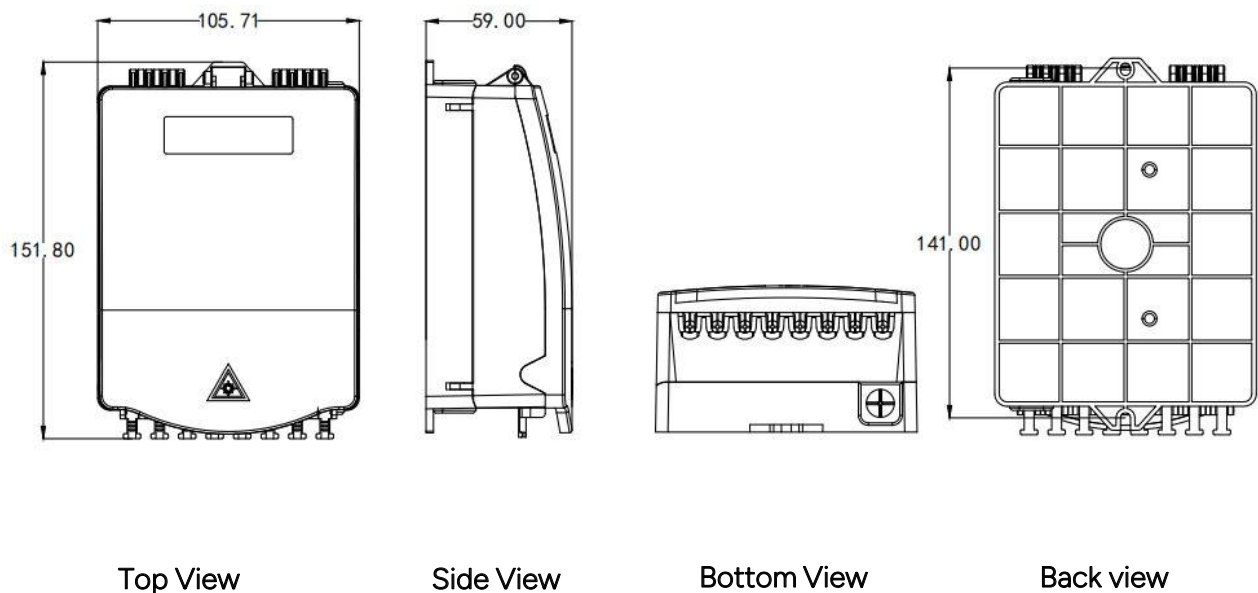
- Total enclosed structure.
- Material: PC+ABS, wet-proof, water-proof, dust-proof, anti-aging, protection level up to IP54.
- Clamping for feeder cable and drop cable, fiber splicing, fixation, storage, distribution...etc all in one.
- Cable, pigtails, patch cords are running through own path without disturbing each other, cassette type SC adaptor installation, easy maintenance.
- Distribution panel can be flipped up, feeder cable can be placed in a cup-joint way, easy for maintenance and installation.
- Cabinet can be installed by the way of wall-mounted .



② Technical Data

2.1 Technical Characteristics

Item	Technical parameters
A*B*C(mm)appearance dimension	151.8*105.7*59
Capacity	12 Cores
Material	PC+ABS, ABS,PC
Color	Black, Grey White..
ProtectionLevel	IP54
Flame retardant performance	HB(Conventional)
Splitter	Can be with 1x1:8 tube splitter



③ Packaging Information

3.1 Packaging

Individual packaging: 163*111*68 mm

Box packaging: 465*340*360mm

Box Packaging QTY: 40 PCS/Box

Packaging Weighth: 15 KG